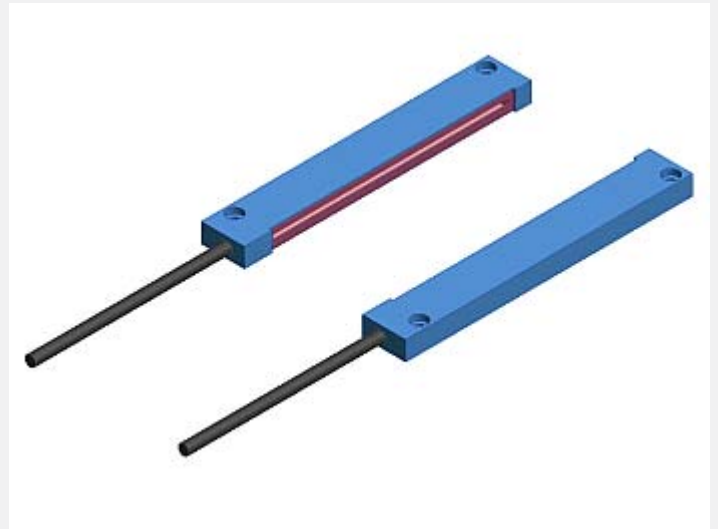


FLB Series

- ▶ **FLB-F-...-C**
- FLB-H-...-C**
- FLB-V-...-C**

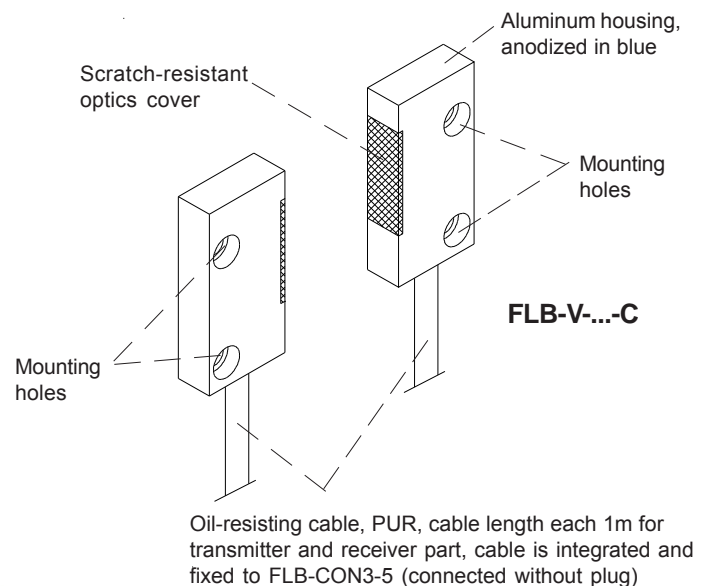
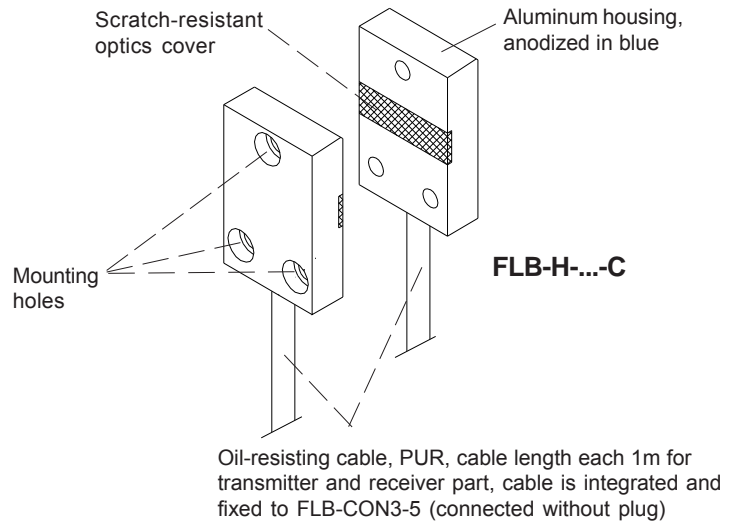
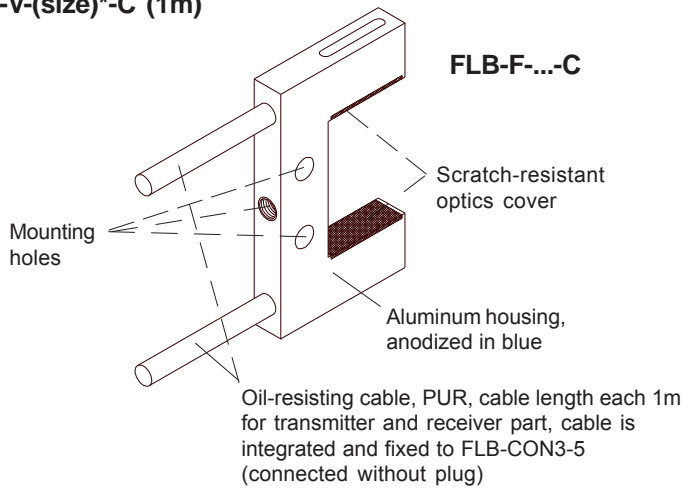
- Suitable for use with amplifier **FLB-CON3-5**
(delivery is only possible together with **FLB-CON3-5**)
- Homogeneous light distribution (IR light curtain)
- Various models available (fork or split version)
- Various sizes of light curtain available (5 mm to 100 mm)
- High sensitivity (part sizes starting from \varnothing 50 μ m)
- Scratch-resistant optics cover
- Oil-resisting cable and housing (IP67)
- Sturdy aluminum housing



Design

Product name:


- FLB-F-(size)*-C (1m)**
- FLB-H-(size)*-C (1m)**
- FLB-V-(size)*-C (1m)**



*Available sizes: (dimensions cf. page 3):

| FLB-F-...-C: | FLB-H-...-C: | FLB-V-...-C: |
|---------------------|---------------------|---------------------|
| FLB-F-05/20-C | FLB-H-05-C | FLB-V-05-C |
| FLB-F-10/20-C | FLB-H-10-C | FLB-V-10-C |
| FLB-F-15/20-C | FLB-H-15-C | FLB-V-15-C |
| FLB-F-20/20-C | FLB-H-20-C | FLB-V-20-C |
| FLB-F-20/40-C | FLB-H-25-C | FLB-V-25-C |
| FLB-F-20/50-C | FLB-H-30-C | FLB-V-30-C |
| FLB-F-25/20-C | FLB-H-40-C | FLB-V-40-C |
| FLB-F-30/10-C | | |
| FLB-F-30/20-C | | |
| FLB-F-40/20-C | | |
| FLB-F-40/25-C | | |
| FLB-F-40/40-C | | |


Technical Data

| Type | FLB-F-...-C | FLB-H-...-C | FLB-V-...-C |
|------------------------------------|--|-------------|-------------|
| Max. distance transmitter/receiver | = fork width (depends on fork size) | max. 30 mm | max. 30 mm |
| Min. detectable object | typ. 0.2 mm (depends on the sensor size and type of electronic control unit used) | | |
| Optical filter | IR filter RG715 | | |
| Illuminant | Infrared light | | |
| Power supply | +12VDC ... +32VDC, reversed-polarity protected, overcurrent protected | | |
| Ambient light | up to 5000 Lux (with AC-operation) | | |
| Enclosure rating | IP67 | | |
| Current consumption | 200 mA | | |
| EMC test acc. to | DIN EN 60947-5-2  | | |
| Connection to amplifier | Sensor frontend is fix mounted to amplifier FLB-CON3-5 by means of integrated cable (components will be delivered fully assembled) | | |
| Cable length | 1m (each at transmitter and receiver side) | | |
| Operating temperature range | -20°C ... +60°C | | |
| Storage temperature range | -20°C ... +60°C | | |
| Housing material | Aluminum, anodized in blue | | |
| Housing dimensions | cf. page 3 | | |



Dimensions

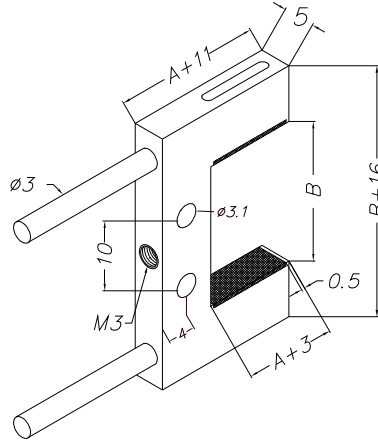
Suitable frontends for connection with FLB-CON3-5:

(please choose frontend and order this together with FLB-CON3-5, components will be delivered fully assembled)

FLB-F-...-C (1m):

(fork version)

| | |
|-------------|------------------------|
| FLB-F-05/20 | (A = 5 mm, B = 20 mm) |
| FLB-F-10/20 | (A = 10 mm, B = 20 mm) |
| FLB-F-15/20 | (A = 15 mm, B = 20 mm) |
| FLB-F-20/20 | (A = 20 mm, B = 20 mm) |
| FLB-F-20/40 | (A = 20 mm, B = 40 mm) |
| FLB-F-20/50 | (A = 20 mm, B = 50 mm) |
| FLB-F-25/20 | (A = 25 mm, B = 20 mm) |
| FLB-F-30/10 | (A = 30 mm, B = 10 mm) |
| FLB-F-30/20 | (A = 30 mm, B = 20 mm) |
| FLB-F-40/20 | (A = 40 mm, B = 20 mm) |
| FLB-F-40/25 | (A = 40 mm, B = 25 mm) |
| FLB-F-40/40 | (A = 40 mm, B = 40 mm) |



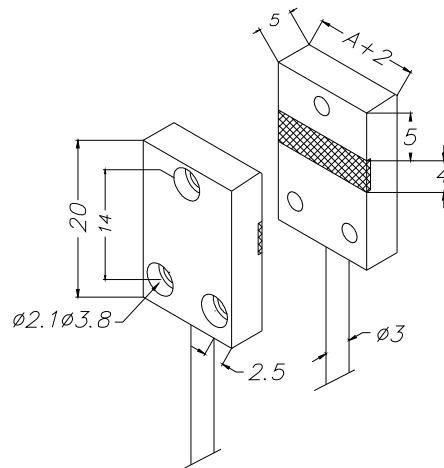
Dimension A = length of active measuring range

Dimension B = fork width = distance transmitter/receiver

FLB-H-...-C (1m):

(split version with horizontal light curtain)

| | |
|----------|-------------|
| FLB-H-05 | (A = 5 mm) |
| FLB-H-10 | (A = 10 mm) |
| FLB-H-15 | (A = 15 mm) |
| FLB-H-20 | (A = 20 mm) |
| FLB-H-25 | (A = 25 mm) |
| FLB-H-30 | (A = 30 mm) |
| FLB-H-40 | (A = 40 mm) |



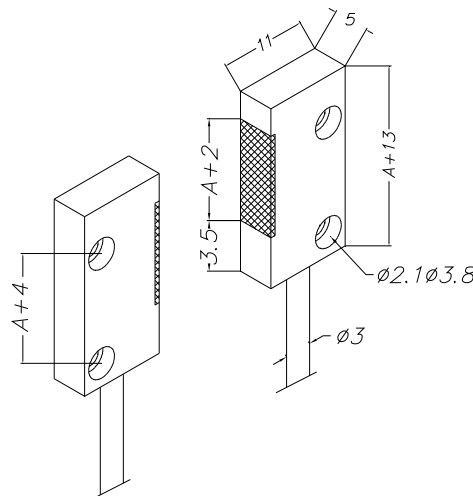
Dimension A (length of active measuring range):

- 5 mm
- 10 mm
- 15 mm
- 20 mm
- 25 mm
- 30 mm
- 40 mm
- 50 mm

FLB-V-...-C (1m):

(split version with vertical light curtain)

| | |
|----------|-------------|
| FLB-V-05 | (A = 5 mm) |
| FLB-V-10 | (A = 10 mm) |
| FLB-V-15 | (A = 15 mm) |
| FLB-V-20 | (A = 20 mm) |
| FLB-V-25 | (A = 25 mm) |
| FLB-V-30 | (A = 30 mm) |
| FLB-V-40 | (A = 40 mm) |



Dimension A (length of active measuring range):

- 5 mm
- 10 mm
- 15 mm
- 20 mm
- 25 mm
- 30 mm
- 40 mm
- 50 mm
- 60 mm


Alle Abmessungen in mm



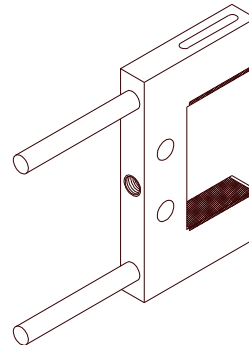
Connector Assignment

Connection of FLB-F, FLB-H, FLB-V to FLB-CON3-5:

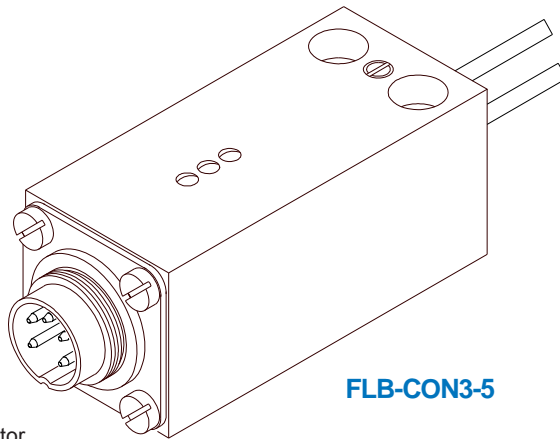
5-pole connector type Binder Series 680

| Pin-No.: | Color: | Assignment: |
|----------|--------|--|
| 1 | blue | 0V |
| 2 | brown | +Ub (+12 ... +32VDC) |
| 3 | white | Output Q |
| 4 | black | Output DYNAMIC  (15 ms) |
| 5 | red | Connection control |

Brücke



e.g. FLB-F-...-C



FLB-CON3-5

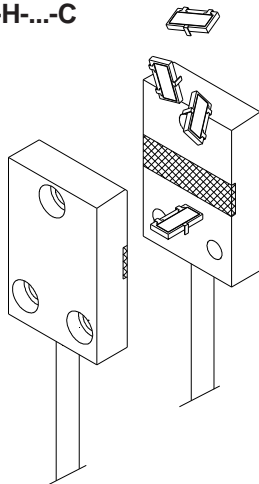
5-pole connector
Binder series 680
(connection to PLC)

Connecting cable:
cab-agl5-2m (l=2m)



Application Examples

FLB-H-...-C



FLB-V-...-C

