

FIO Series

► KL-M34-XXL-A3.0

Optical frontend

- Optical frontend for reflected light fiber optics R-S-A3.0-...-67° (fiber optics are available in various lengths)
- Big working distance typ. 70 mm ... 400 mm
- Also suitable for detection of highly absorbent objects (e.g. black painted parts)
- Minimal color change at a change in the distance
- Focusable
- Scratch resistant glass optics
- Sturdy aluminum housing, anodized in black



Design

Product name:

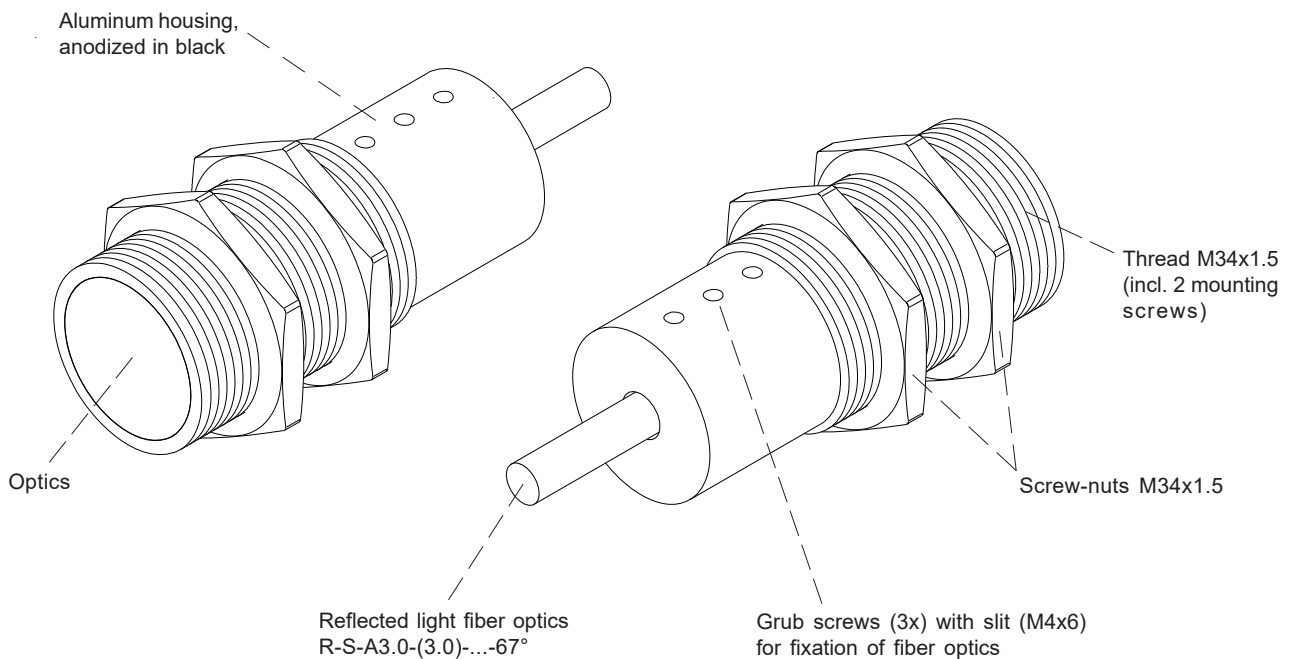
KL-M34-XXL-A3.0

Suitable for fiber optics (please order separately):

Reflected light fiber optics

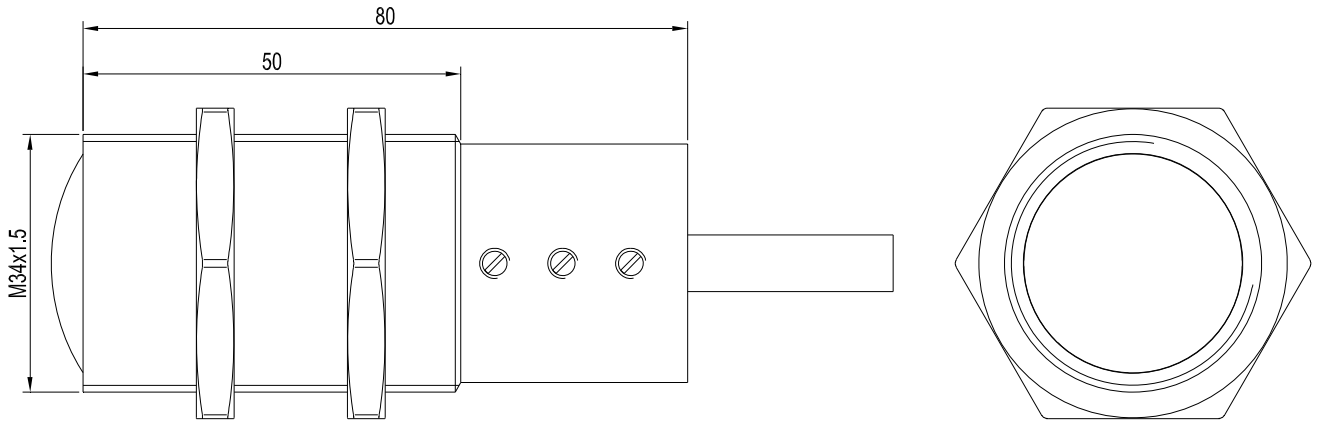
R-S-A3.0-(3.0)-(length)-67°

(standard lengths for fiber optics: 600 mm or 1200 mm)



Dimensions

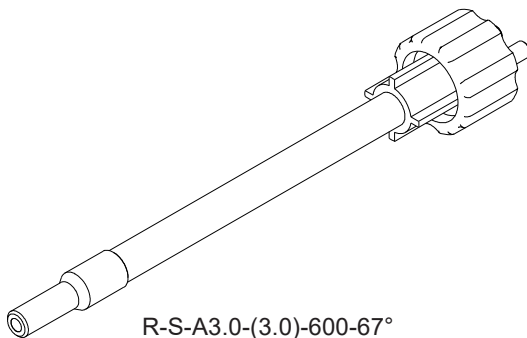
KL-M34-XXL-A3.0



All dimensions in mm

Fiber Optics

R-S-A3.0-(3.0)-...
Reflected light fiber optics



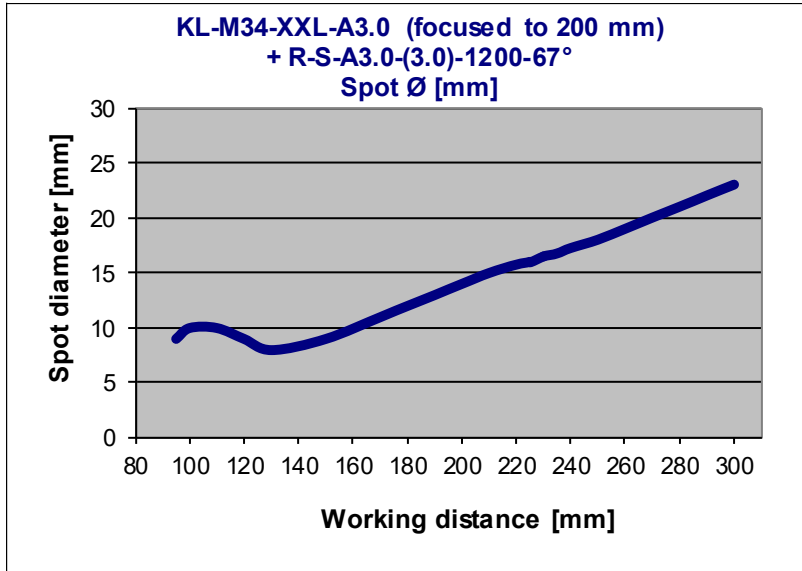
R-S-A3.0-(3.0)-600-67°
R-S-A3.0-(3.0)-1200-67°





Diagrams

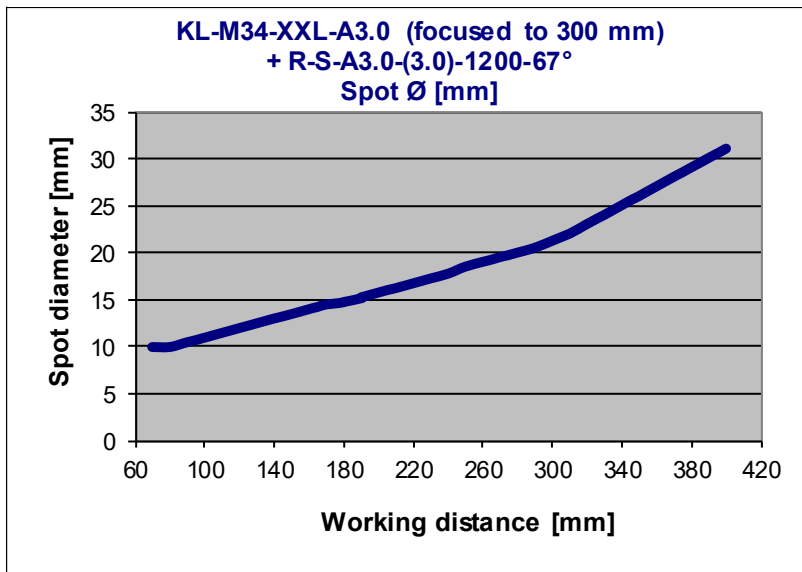
SPOT DIAMETER
(depending on distance and focus)



**KL-M34-XXL-A3.0 with R-S-A3.0-(3.0)-1200-67°:
(focused to a distance of 200 mm):**

Spot diameter:

- 8 mm (typ.) at a working distance of 130 mm
- 9 mm (typ.) at a working distance of 150 mm
- 13 mm (typ.) at a working distance of 200 mm
- 16 mm (typ.) at a working distance of 230 mm
- 18 mm (typ.) at a working distance of 250 mm



**KL-M34-XXL-A3.0 with R-S-A3.0-(3.0)-1200-67°:
(focused to a distance of 300 mm):**

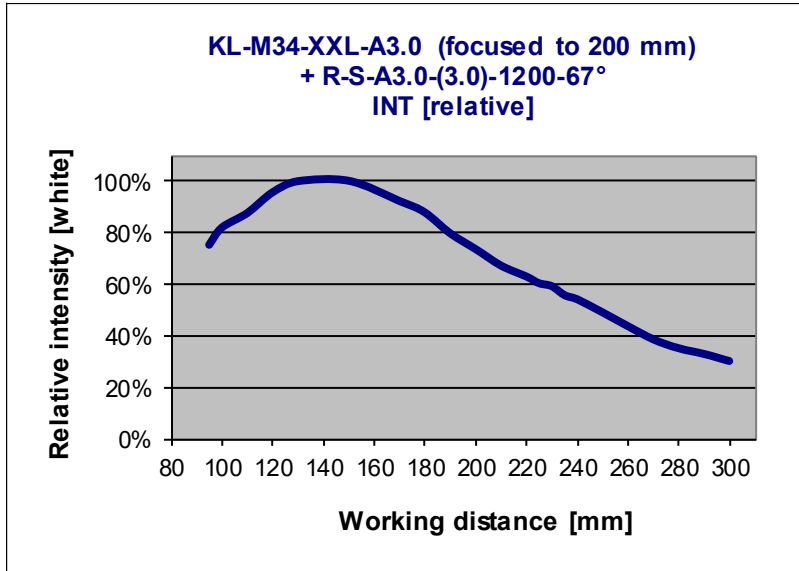
Spot diameter:

- 10 mm (typ.) at a working distance of 80 mm
- 11 mm (typ.) at a working distance of 100 mm
- 13 mm (typ.) at a working distance of 150 mm
- 16 mm (typ.) at a working distance of 200 mm
- 18 mm (typ.) at a working distance of 250 mm
- 21 mm (typ.) at a working distance of 300 mm
- 26 mm (typ.) at a working distance of 350 mm
- 29 mm (typ.) at a working distance of 380 mm



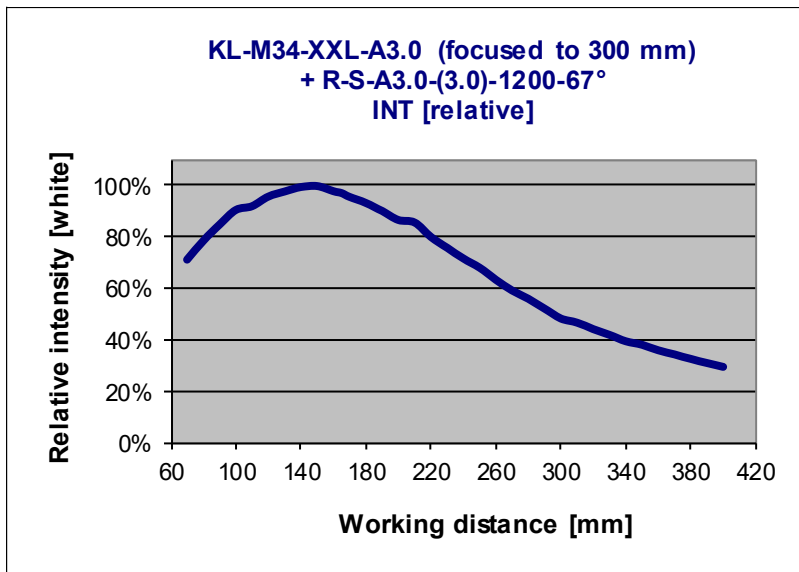
Diagrams

RELATIVE INTENSITY
(depending on distance and focus):



KL-M34-XXL-A3.0 with R-S-A3.0-(3.0)-1200-67°:
(focused to a distance of 200 mm):

Relative intensity:
100% at a working distance of 150 mm
(INTENSITY 3270)



KL-M34-XXL-A3.0 with R-S-A3.0-(3.0)-1200-67°:
(focused to a distance of 300 mm):

Relative intensity:
100% at a working distance of 150 mm
(INTENSITY 2190)