

Accessories

▶ SPECTRO-3-15-d65-OFL

Top part for optics (spacer)
suitable for use with color sensors of type
SPECTRO-3-30-UV/BL-MSM-ANA
SPECTRO-3-30-UV/BL-MSM-DIG

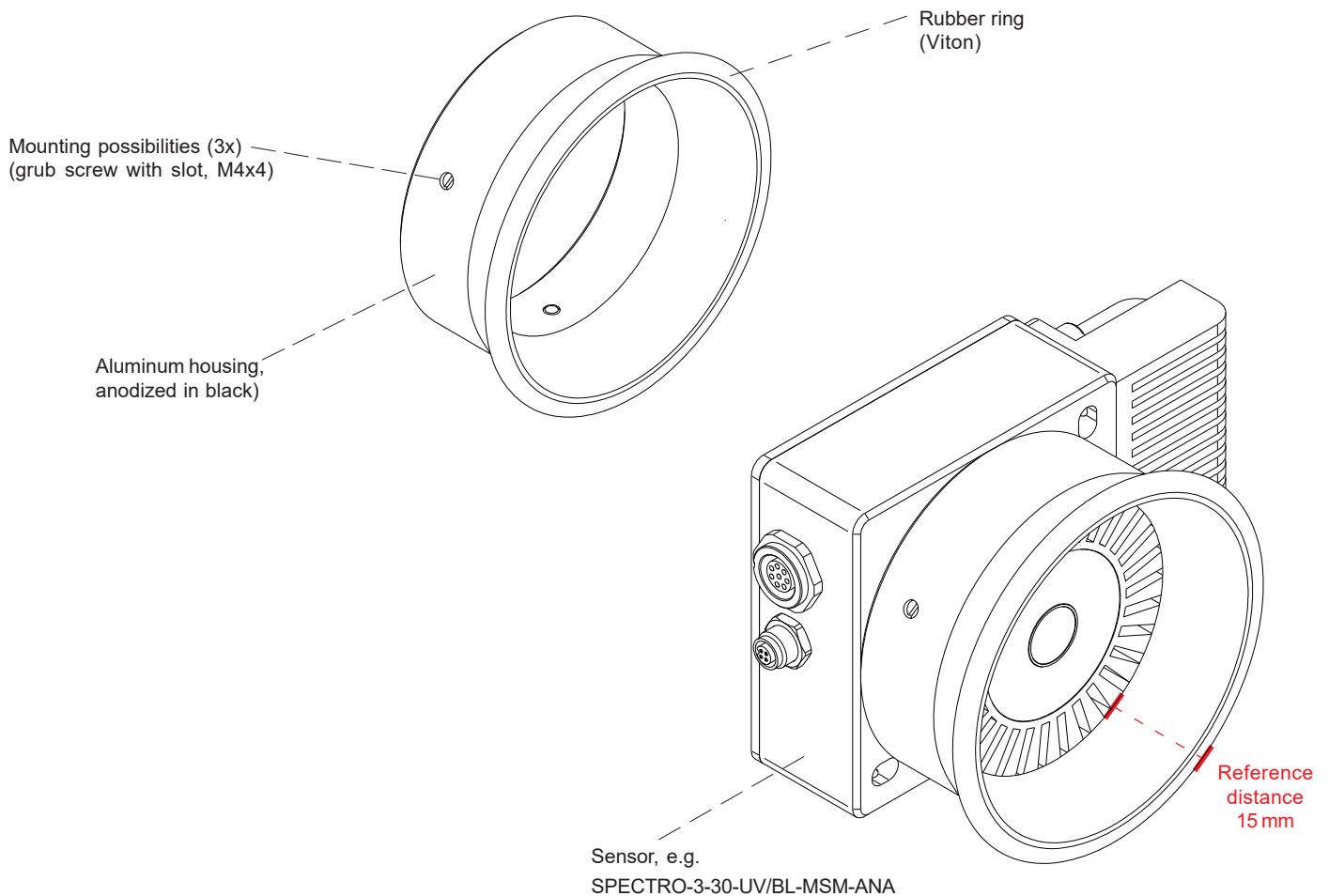
- Makes it possible to use the color sensor SPECTRO-3-30-UV/BL-MSM-ANA or SPECTRO-3-30-UV/BL-MSM-DIG as a hand-held
- Reference distance 15 mm to measuring object by direct contact
- Sturdy material (aluminum, anodized in black)



Design

Product name:

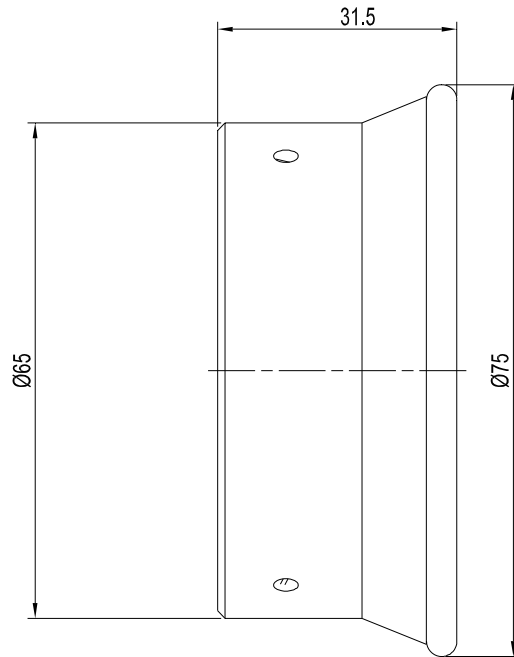
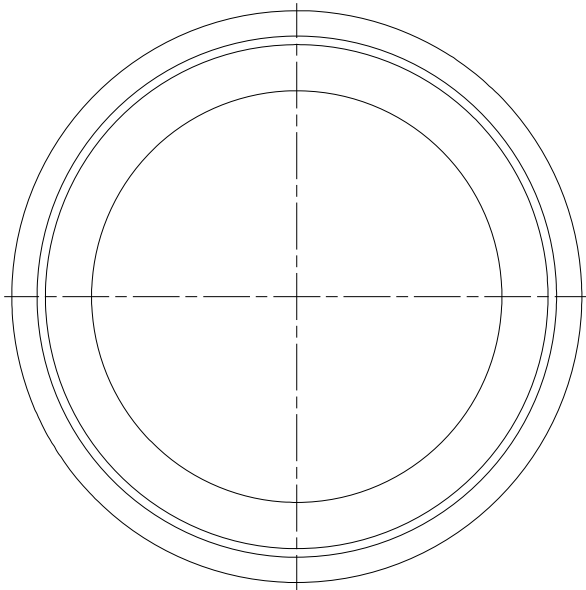
SPECTRO-3-15-d65-OFL (spacer / offline unit)





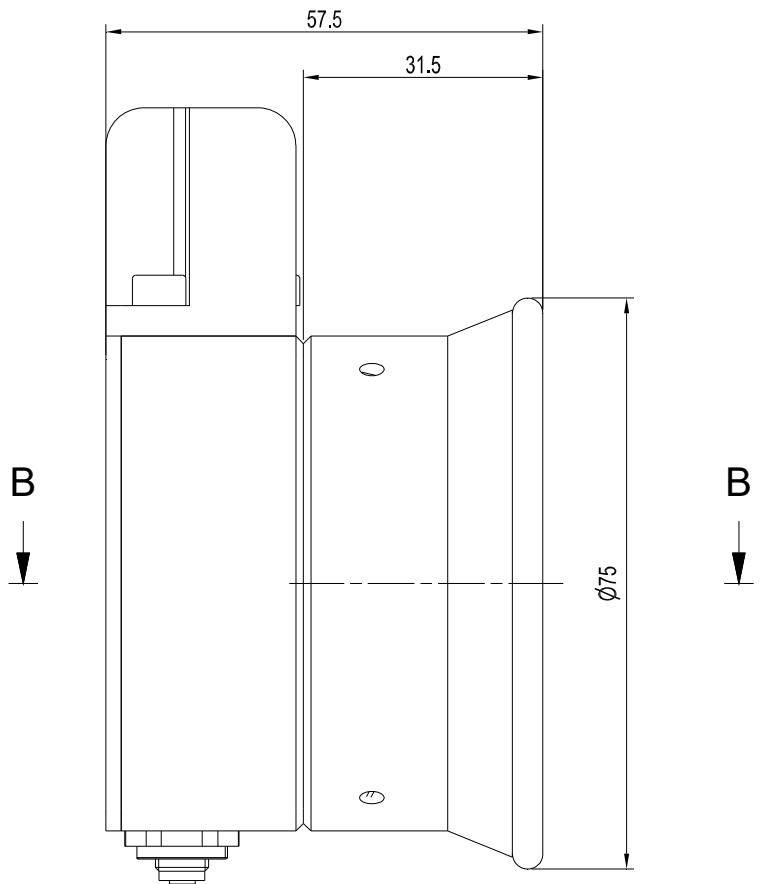
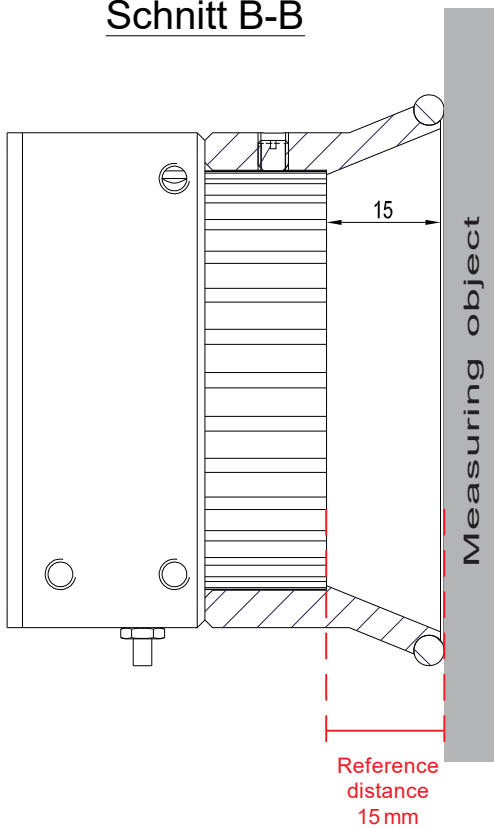
Dimensions

SPECTRO-3-15-d65-OFL



SPECTRO-3-15-d65-OFL mounted on sensor type SPECTRO-3-30-UV/BL-MSM-ANA:

Schnitt B-B

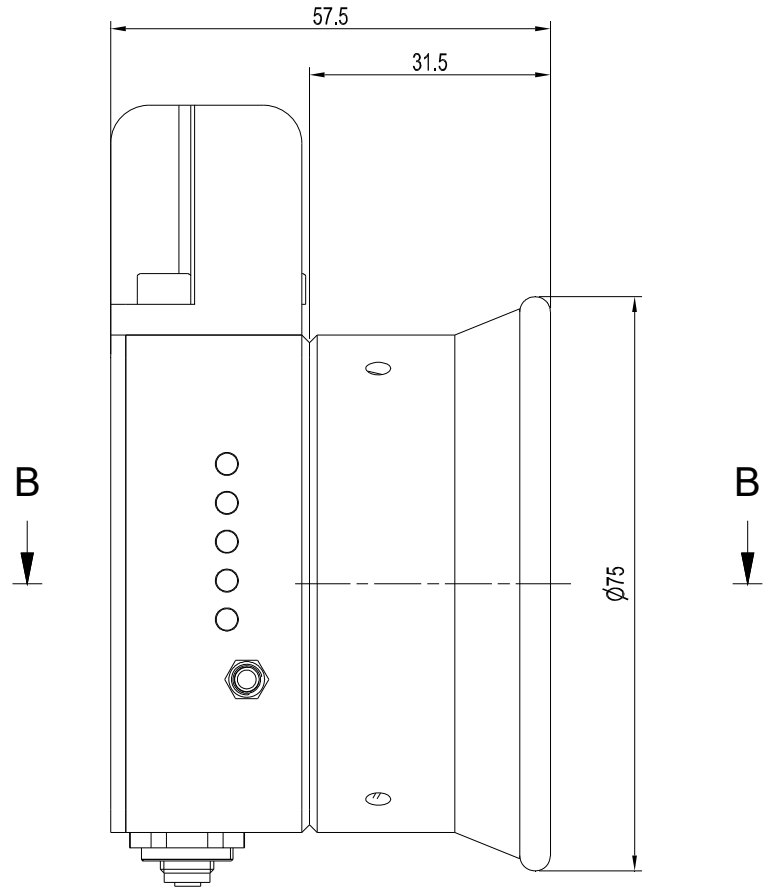
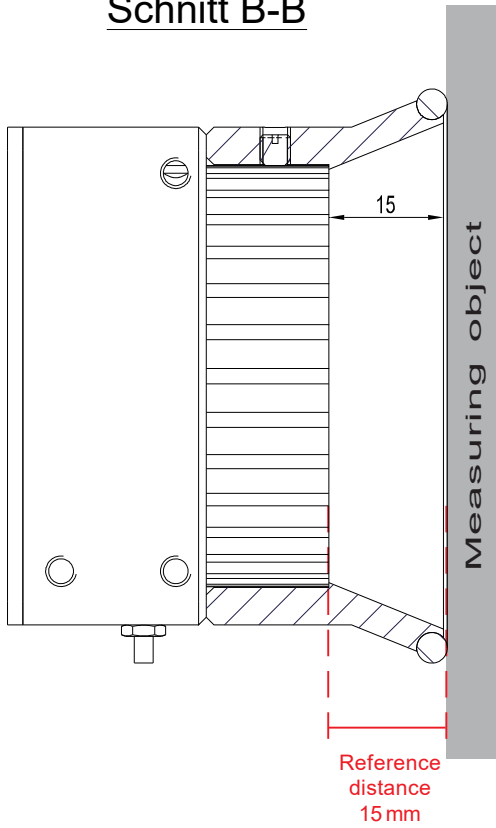


All dimensions in mm

Dimensions

SPECTRO-3-15-d65-OFL mounted on sensor type SPECTRO-3-30-UV/BL-MSM-DIG:

Schnitt B-B



All dimensions in mm

