

L-LAS Series

▶ L-LAS-TB-F-6x1-100/100-AL L-LAS-TB-F-1x6-100/100-AL

- Line laser <math><0.39\text{ mW}</math>, wave length 670 nm, laser class 1
- Visible laser line, typ. 6 mm x 1 mm
- Measuring range typ. 6.4 mm
- Resolution up to 2 μm (depends on selected scan frequency)
- Transmitter/receiver distance 100 mm (fork width)
- Integrated interference filter
- CCD line detector with 512 pixel, 4096 subpixel (8-fold)
- RS232 interface (USB or Ethernet converter is available)
- 2 digital inputs, 3 digital outputs (HIGH/LOW/GO)
- Analog output adjustable via software (0 ... +10V or 4 ... 20mA)
- Max. scan frequency selectable via software (2 kHz or 4 kHz)
- Switching state indication via 4 two-color LEDs (2x red/gm, 2x yel/gm)
- Sturdy aluminum housing, anodized in black
- Scratch-resistant optics cover made of glass



Design

Product name:

L-LAS-TB-F-6x1-100/100-AL

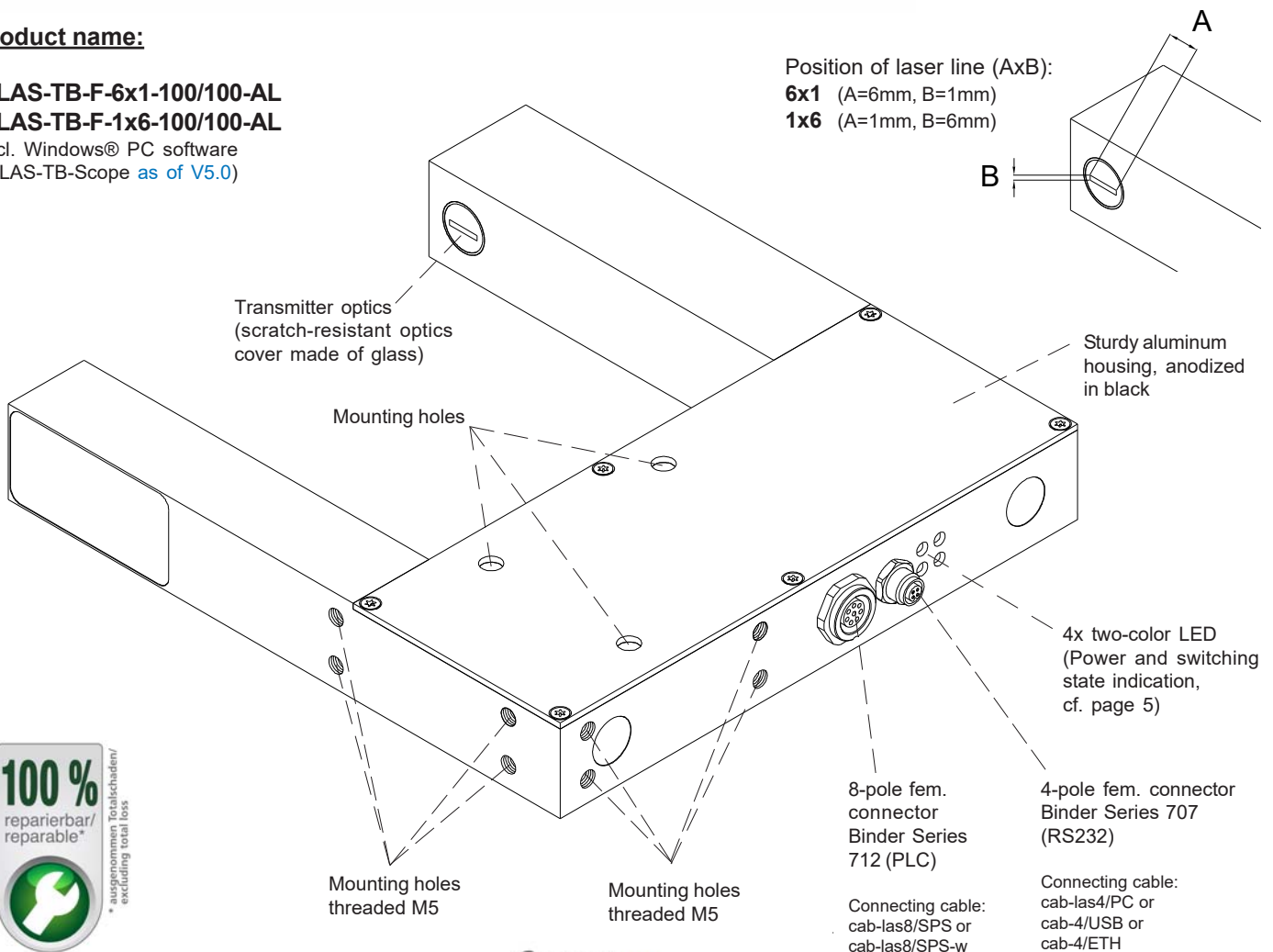
L-LAS-TB-F-1x6-100/100-AL

(incl. Windows® PC software
L-LAS-TB-Scope as of V5.0)

Position of laser line (AxB):

6x1 (A=6mm, B=1mm)

1x6 (A=1mm, B=6mm)

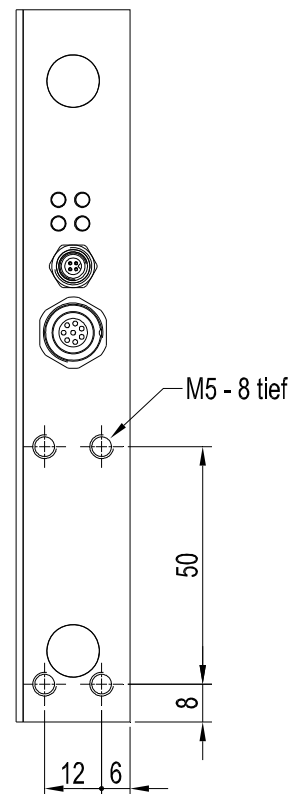
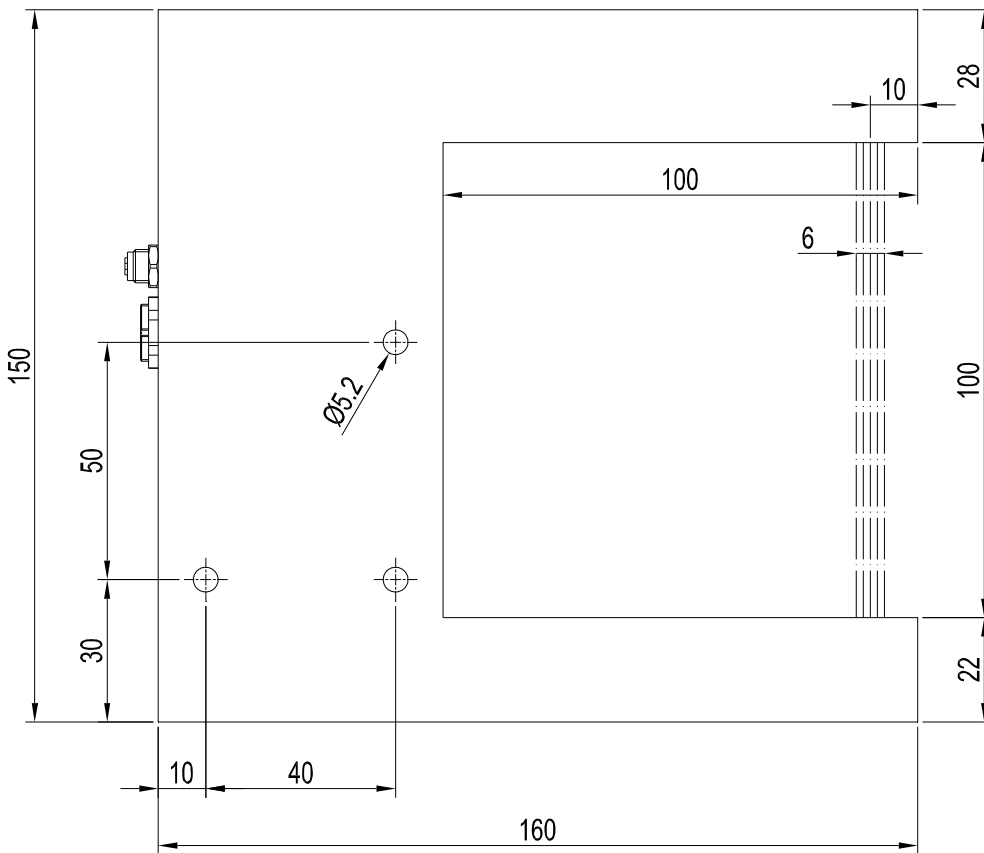
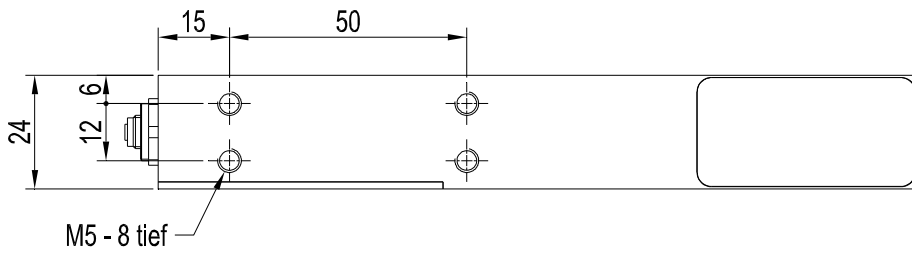




Technical Data

Model	L-LAS-TB-F-6x1-100/100-AL L-LAS-TB-F-1x6-100/100-AL
Laser	Semiconductor laser, 670 nm, DC-operation, < 0.39 mW max. opt. power, laser class 1 acc. to DIN EN 60825-1. The use of these laser sensors therefore requires no additional protective measures.
Working distance	Distance transmitter/receiver: 100 mm (= fork width)
Measuring range	typ. 6.4 mm
Resolution	typ. 2 µm (Normal Speed mode), typ. 4 µm (Fast Speed mode)
Reproducibility	typ. ± 2 µm (Normal Speed mode), typ. ± 4 µm (Fast Speed mode)
Linearity	typ. 0.1% FSR (full scale range)
Optical filter	Interference filter
Analog output (1x)	voltage output 0 ... +10V or current output 4 ... 20mA (adjustable under Windows® via PC)
Digital outputs (3x) (OUT0, OUT1, OUT2)	OUT0: (-) Measuring value < lower tolerance threshold OUT1: (+) Measuring value > upper tolerance threshold OUT2: (ok) Measuring value within tolerance window pnp bright-switching/npn dark-switching or pnp dark-switching/npn bright-switching, adjustable under Windows®, 100 mA, short-circuit proof
Digital inputs (2x) (IN0, IN1)	IN0: Extern trigger, IN1: Teach/Reset (double function) input voltage +Ub/0V, with protective circuit
Voltage supply	+24 VDC (± 10%)
Sensitivity setting	adjustable under Windows® via PC
Laser power correction	adjustable under Windows® via PC
Current consumption	typ. 200 mA
Enclosure rating	Electronics: IP54, optics: IP67
Operating temperature range	-10°C ... +50°C
Storage temperature range	-20°C ... +85°C
Housing material	aluminum, anodized in black
Housing dimensions	LxWxH ca. 160 mm x 150 mm x 24 mm (without flange connectors)
Connector type	8-pole circular female connector type Binder 712 (PLC/Power) 4-pole M5 circular female connector type Binder 707 (PC/RS232)
LED display	LED red (+): measuring value > upper tolerance threshold LED green (ok): measuring value within tolerance window LED red (-): measuring value < lower tolerance threshold LED yellow: multifunctional
EMC test acc. to	DIN EN 60947-5-2
Scan frequency	Normal Speed mode (high resolution): max. 2 kHz Fast Speed mode (half resolution): max. 4 kHz can be switched under Windows®
Max. switching current	100 mA, short-circuit proof
Interface	RS232, parameterisable under Windows®
Connecting cable	connection to PC: cab-las4/PC or cab-4/USB or cab-4/ETH connection to PLC: cab-las8/SPS or cab-las8/SPS-w
Output polarity	bright/dark-switching, can be changed under Windows®

Dimensions



All dimensions in mm



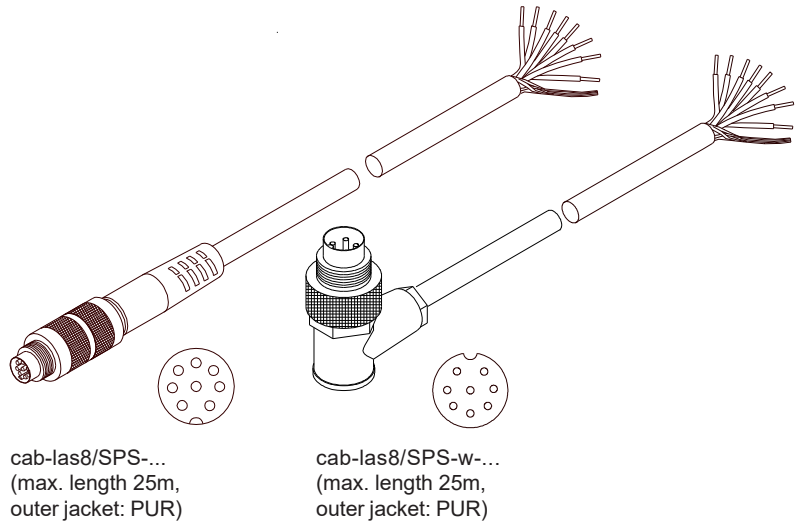
Connector Assignment

Connection to PLC:

8-pole fem. connector Binder Series 712

Pin:	Color:	Assignment:
1	white	GND (0V)
2	brown	+24VDC (± 10%)
3	green	IN0 (EXT TRIGGER)
4	yellow	IN1 (TEACH/RESET)
5	grey	OUT0 (-)
6	pink or black	OUT1 (+)
7	blue	OUT2 (ok)
8	red	ANA (voltage 0...+10V or current 4...20mA)

Connecting cable:
 cab-las8/SPS-(length) or
 cab-las8/SPS-w-(length) (angle type 90°)
 (standard length 2m)



Connection to PC:

4-pole fem. connector Binder Series 707

Pin:	Assignment:
1	+24VDC (+Ub, OUT)
2	GND (0V)
3	RxD
4	TxD

Connection via RS232 interface at the PC:

Connecting cable:
 cab-las4/PC-(length)
 cab-las4/PC-w-(length) (angle type 90°)
 (standard length 2m)

alternative:

Connection via USB interface at the PC:

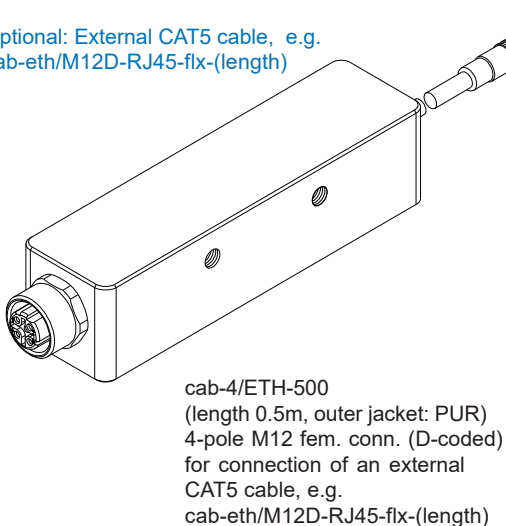
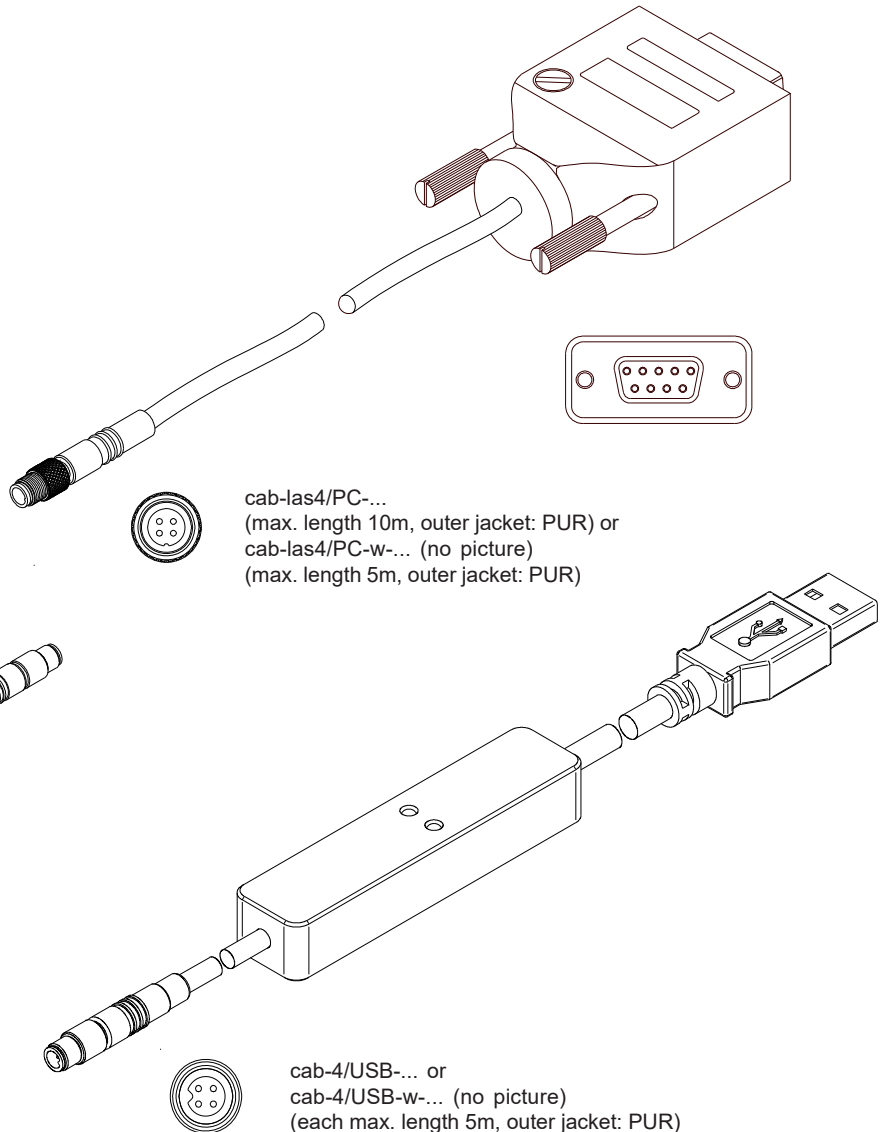
USB converter (incl. driver software):
 cab-4/USB-(length)
 cab-4/USB-w-(length) (angle type 90°)
 (standard length 2m)

alternative:

Connection to local network via Ethernet bus:

Ethernet converter (incl. software „SensorFinder“):
 cab-4/ETH-500
 (standard length 0.5m)

Optional: External CAT5 cable, e.g.
 cab-eth/M12D-RJ45-flx-(length)



cab-4/ETH-500
 (length 0.5m, outer jacket: PUR)
 4-pole M12 fem. conn. (D-coded)
 for connection of an external
 CAT5 cable, e.g.
 cab-eth/M12D-RJ45-flx-(length)



LED Display

LED display:

(ok) ● ● (-)

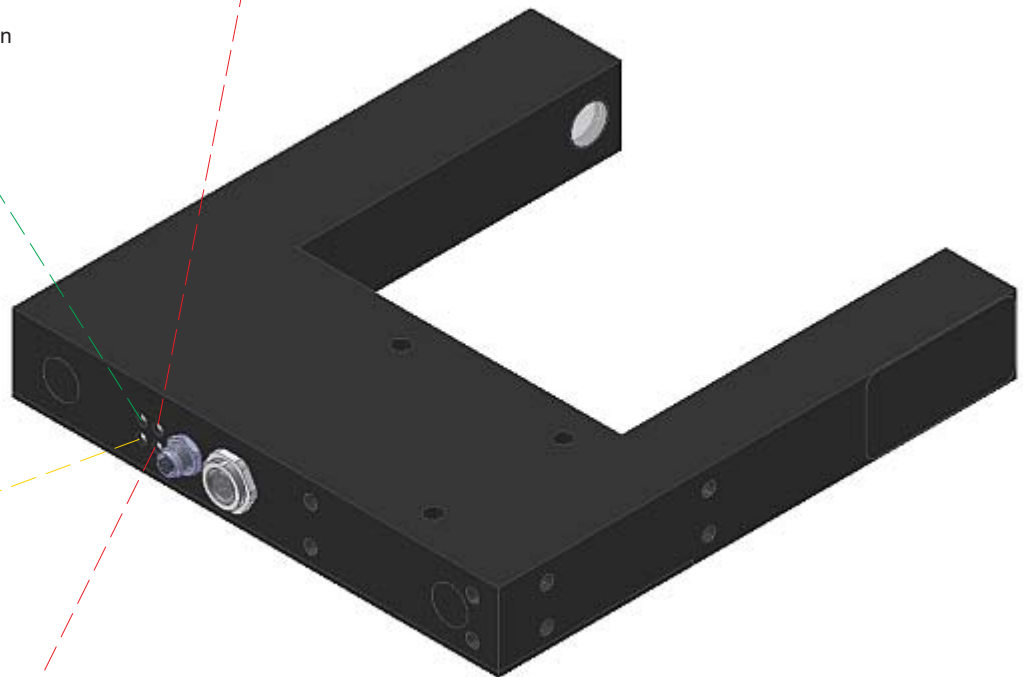
Power ● ● (+)

LED green (ok): ●
Measuring value within tolerance window

LED red (-): ●
Measuring value < lower tolerance threshold (OUT0) Power LED (multifunctional)

LED yellow: ●
Power LED (multifunctional)

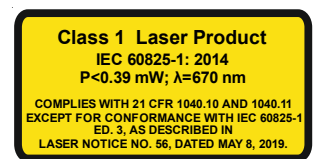
LED red (+): ●
Measuring value > upper tolerance threshold (OUT1)



Laser Information

The laser transmitters of L-LAS-TB series comply with laser class 1 according to EN 60825-1. Under reasonably foreseeable conditions a class 1 laser is safe. The reasonably foreseeable conditions are kept during specified normal operation. The use of these laser transmitters therefore requires no additional protective measures.

The laser transmitters of L-LAS-TB series series are supplied with an information label „CLASS 1 Laser Product“.

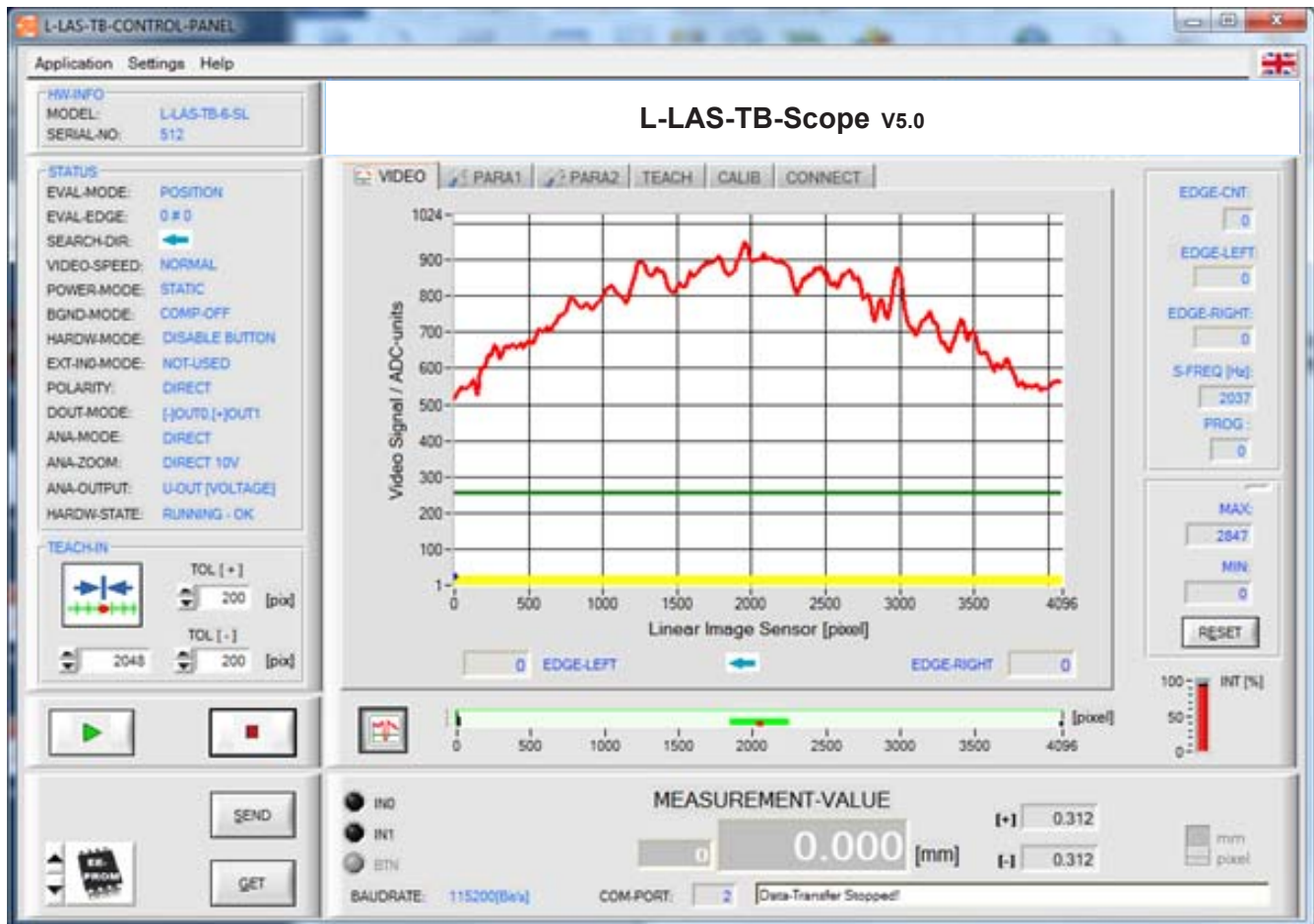




Parameterization
Windows® user interface:

(The current software version is available for download on our website.)

The L-LAS-TB-...-AL sensor can be easily parameterised with the Windows® user interface L-LAS-TB-Scope (as of V5.0). For this purpose the sensor is connected to the PC with the serial interface cable cab-las4/PC (or cab-4/USB or cab-4/ETH). When parameterisation is finished, the PC can be disconnected again.

Windows® user interface:

With the help of the L-LAS-TB-Scope software the following settings can be made at the sensor:

- Setting of laser power and type of automatic power correction
- Polarity of digital outputs
- Different evaluation modes
- Start of the teach process by software button
- Setting of tolerance ranges for monitoring the measured value
- Selection of scan frequency

Furthermore, various numerical and graphical measured quantities can be visualized with the L-LAS-TB-Scope software. For example, the raw data of the CCD line sensor can be displayed graphically and numerically.