

Accessories

▶ PS-24V-1,25A/30W-M12/8-SL

Power supply

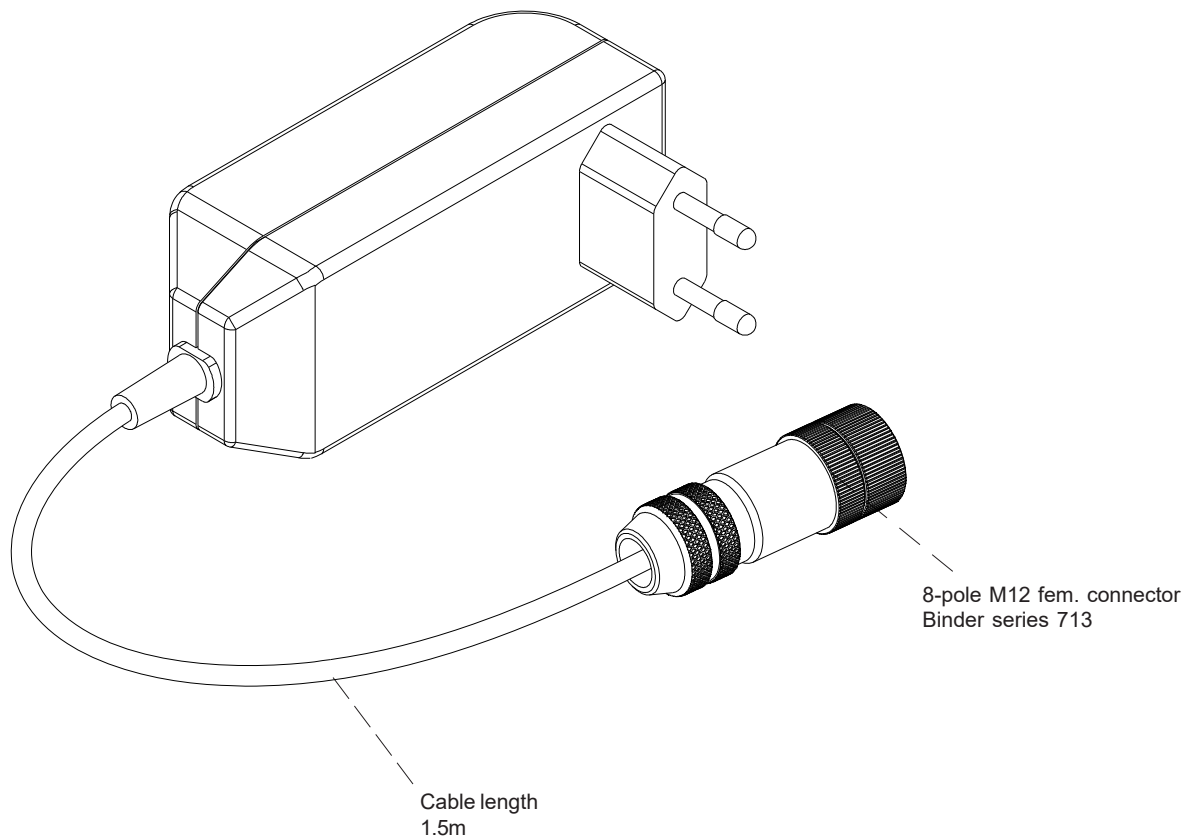
- Secondary 24VDC; current max. 1.25A; power 30W
- Power supply: 100...240Veff.; 50...60Hz; 550mA
- Secondary 8-pole M12 fem. connector Binder series 713
- Cable length 1.5m
- For use with L-LAS-LT-...-SL-P or L-LAS-LT-...-SL-L sensors



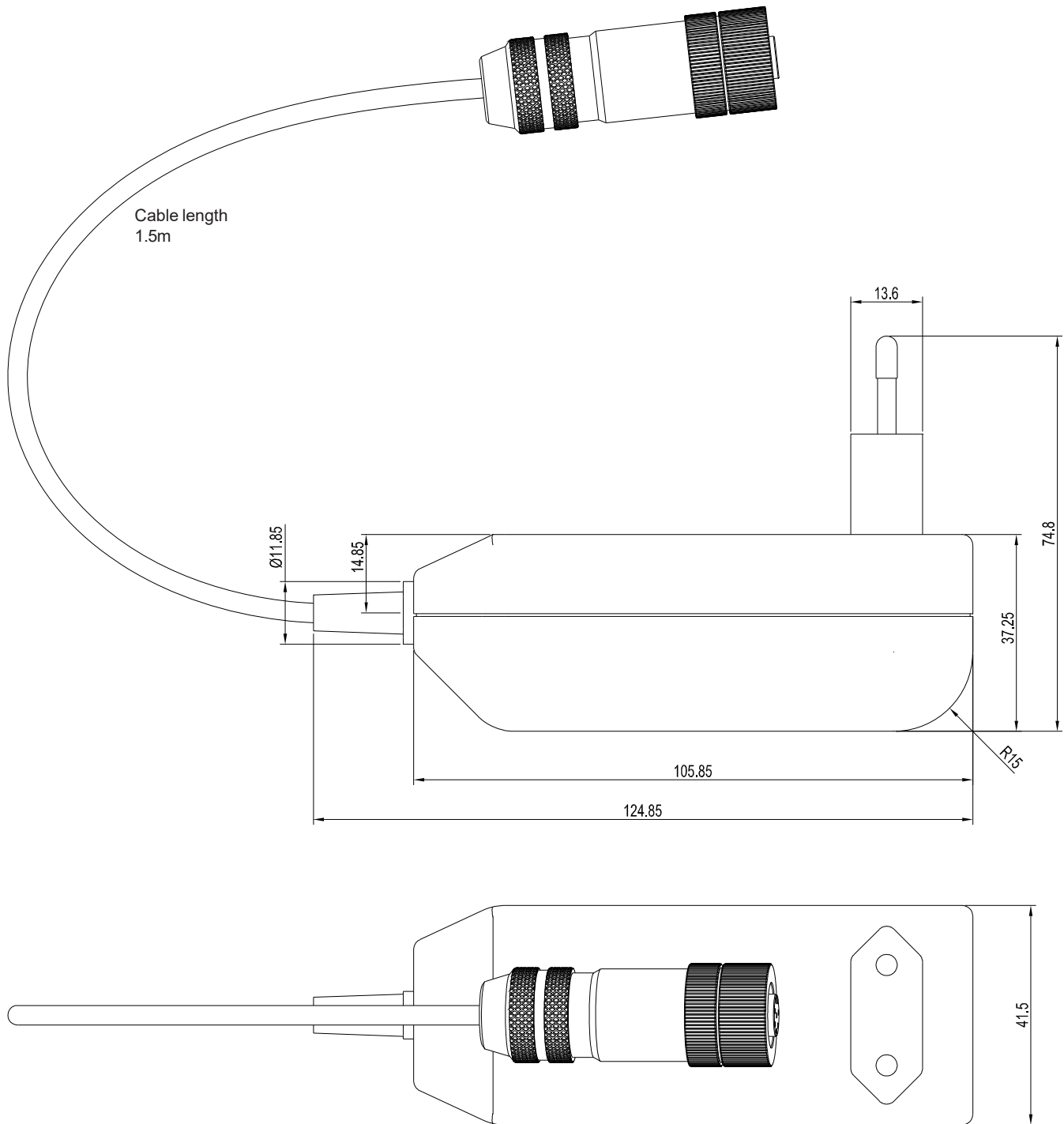
Design

Product name:

PS-24V-1,25A/30W-M12/8-SL



Dimensions



All dimensions in mm

**8-pole M12 fem. connector Binder series 713**

Pin: Assignment:

1	not connected
2	+24VDC
3	not connected
4	not connected
5	not connected
6	not connected
7	GND (0V)
8	not connected

