

Accessories

▶ C-MOUNT-LT-37-68/150

Mounting plate for Master/Slave line sensors
L-LAS-LT-37-MA / -SL or
L-LAS-LT-37-HS-MA / -SL

- Mounting plate in C-shape with several mounting holes
- Suitable for material depth up to 110 mm
- Distance Master and Slave (optical axis) adjustable in 3 mm steps (symmetrically each side 1.5 mm): from min. 33.49 mm to max. 57.49 mm
- Sturdy material (aluminum, anodized in black)



Design

Product name:

C-MOUNT-LT-37-68/150

C-MOUNT-LT-37-68/150

Various mounting possibilities
(Ø 5.5 mm or thread M5)

Aluminum,
anodized in black

Mounting holes for
various adjustment positions
of Master and Slave

L-LAS-LT-37-...
(Slave or Master)

L-LAS-LT-37-...
(Master or Slave)



Adjustment Positions

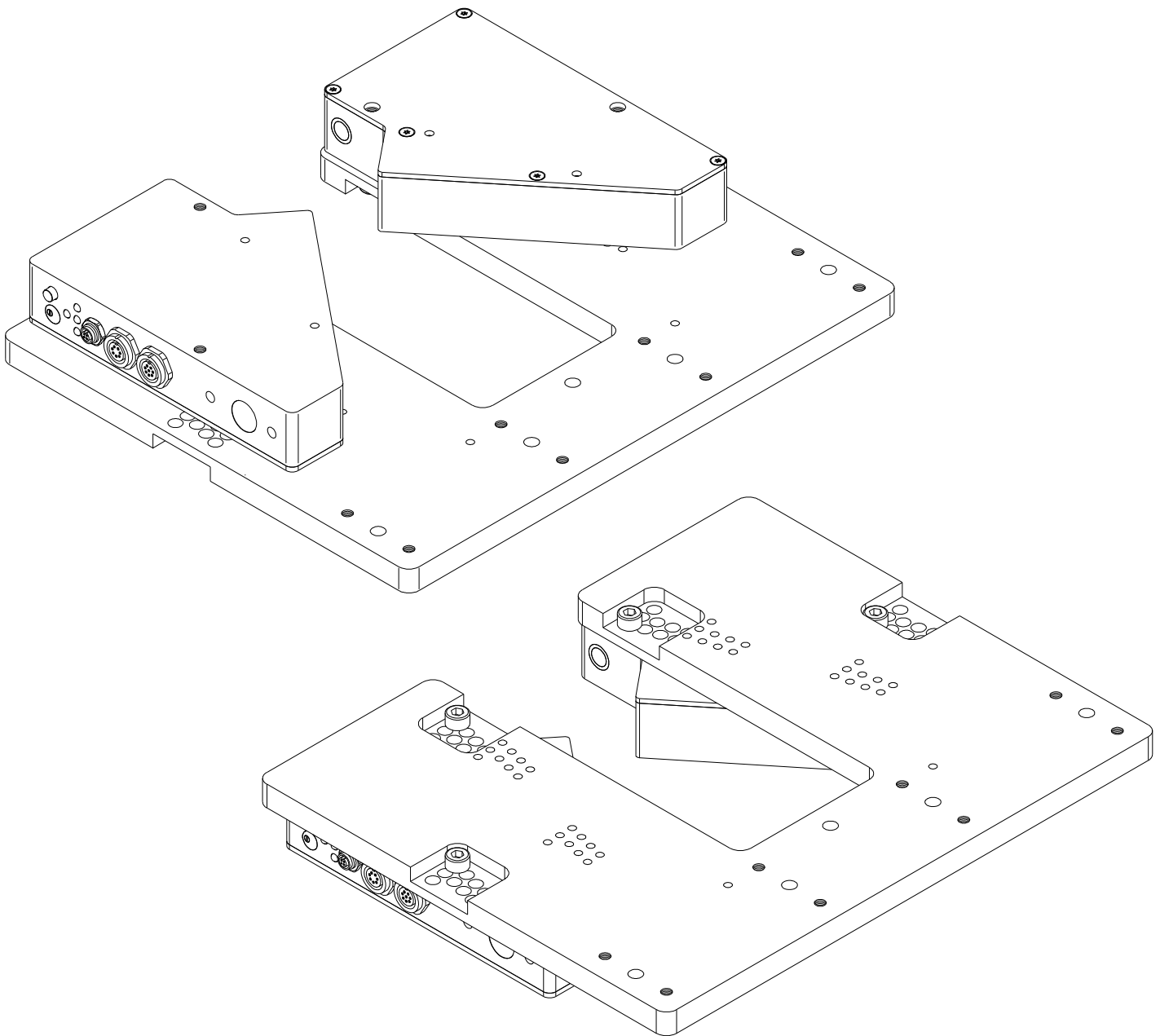
Mounting plate C-MOUNT-LT-37-68/150

suitable for Master/Slave line sensors
L-LAS-LT-37-MA / -SL or
L-LAS-LT-37-HS-MA / -SL

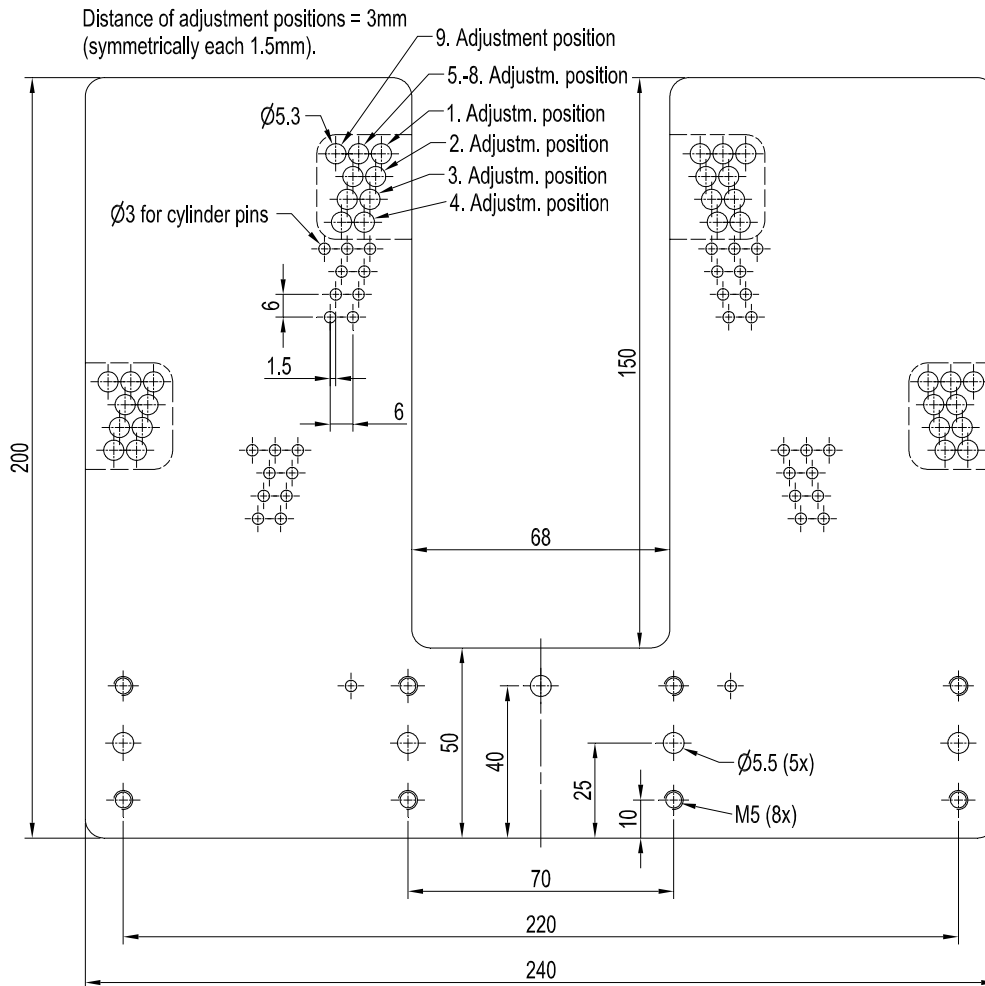
- Distance Master and Slave (optical axis) adjustable in 3 mm steps (symmetrically each side 1.5 mm): from min. 33.49 mm to max. 57.49 mm
- Sturdy aluminum housing, anodized in black

Adjustment positions (cf. drawing on the next page):
E = Distance Master/Slave (optical axis) in mm

Einstellposition	A	B	C	D	E
1.	74	0	4	10	33.49
2.	77	0	7	16	36.49
3.	80	0	10	22	39.49
4.	83	5	13	28	42.49
5.	86	8	16	10	45.49
6.	89	11	19	16	48.49
7.	92	14	22	22	51.49
8.	95	17	25	28	54.49
9.	98	20	28	10	57.49

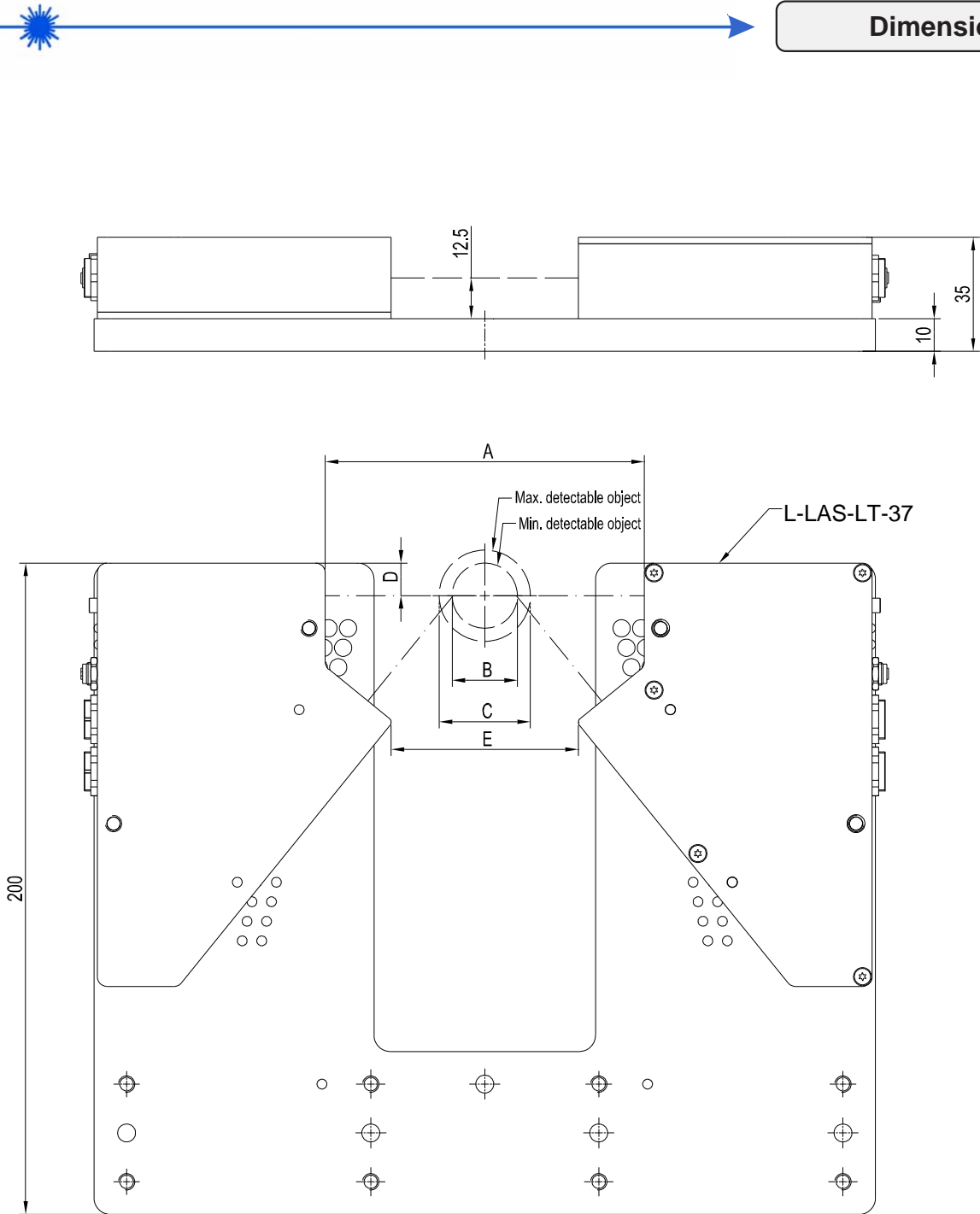


Dimensions



(All dimensions in mm)

Dimensions



(All dimensions in mm)