

FIO Series

▶ KL-PLNG-BL-A3.0

Optical fiber probe with air cooling for
Inline color control of polymer melts

- Optical fiber probe in a special housing for immersion in polymer melts (at temperatures up to 300°C)
- Suitable for connection to color measurement sensors of type SPECTRO-3-FIO-MSM-ANA-DL or SPECTRO-3-FIO-MSM-DIG-DL
- Integrated air blowing duct for cooling the housing
- Integrated temperature sensor informs about the temperature prevailing at the probe head
- Housing made of stainless steel (V4A)
- Optical fiber end face with sapphire glass cover

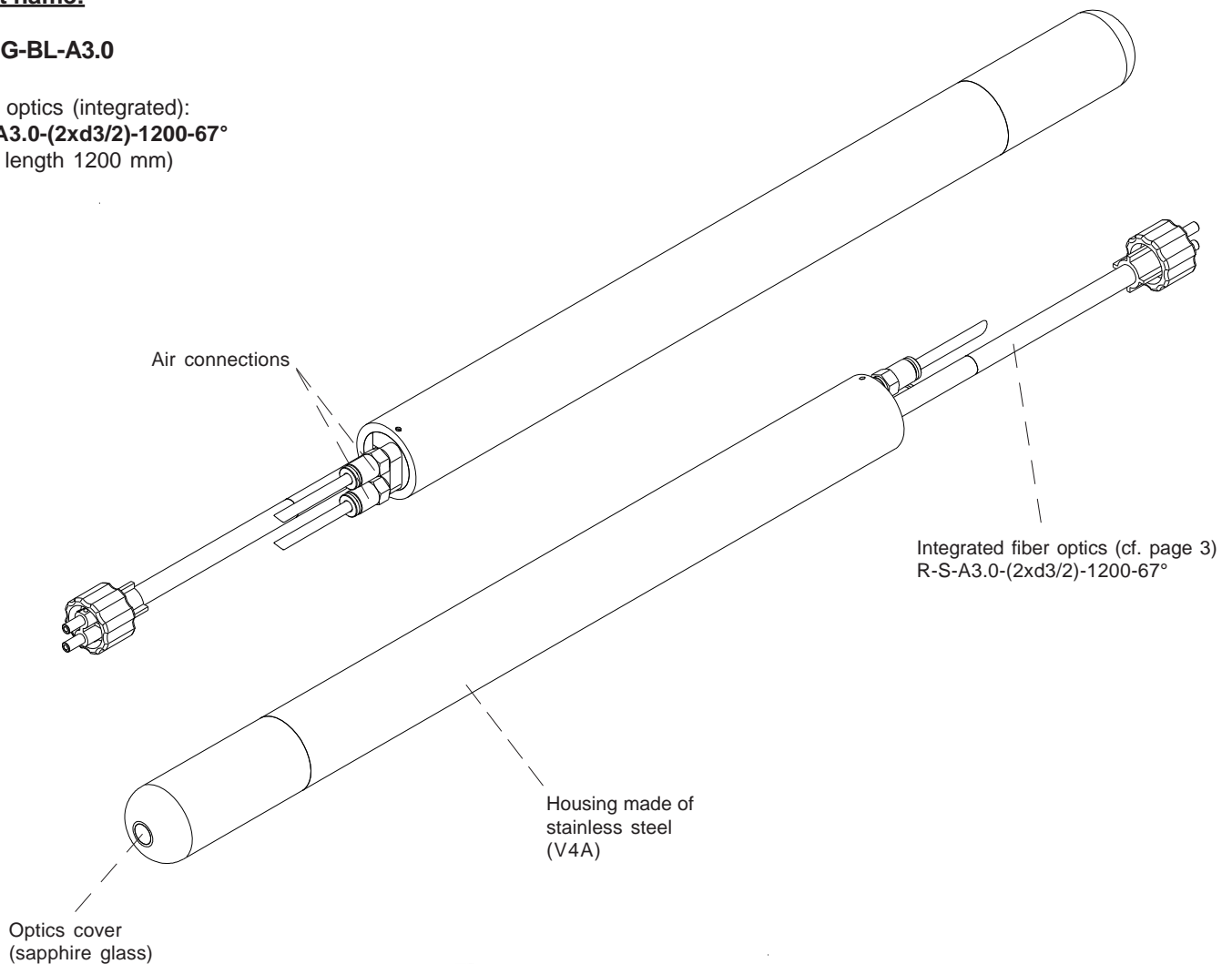


Design

Product name:

KL-PLNG-BL-A3.0

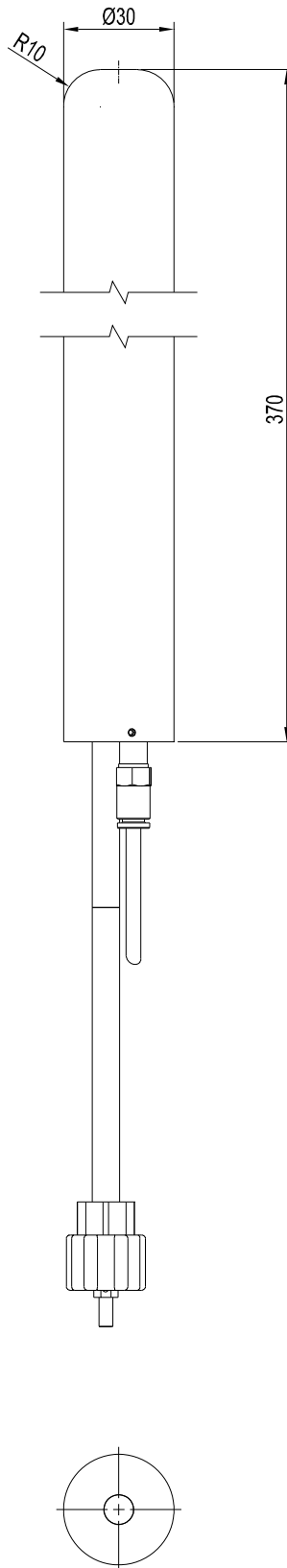
Fiber optics (integrated):
R-S-A3.0-(2xd3/2)-1200-67°
(total length 1200 mm)





Dimensions

KL-PLNG-BL-A3.0

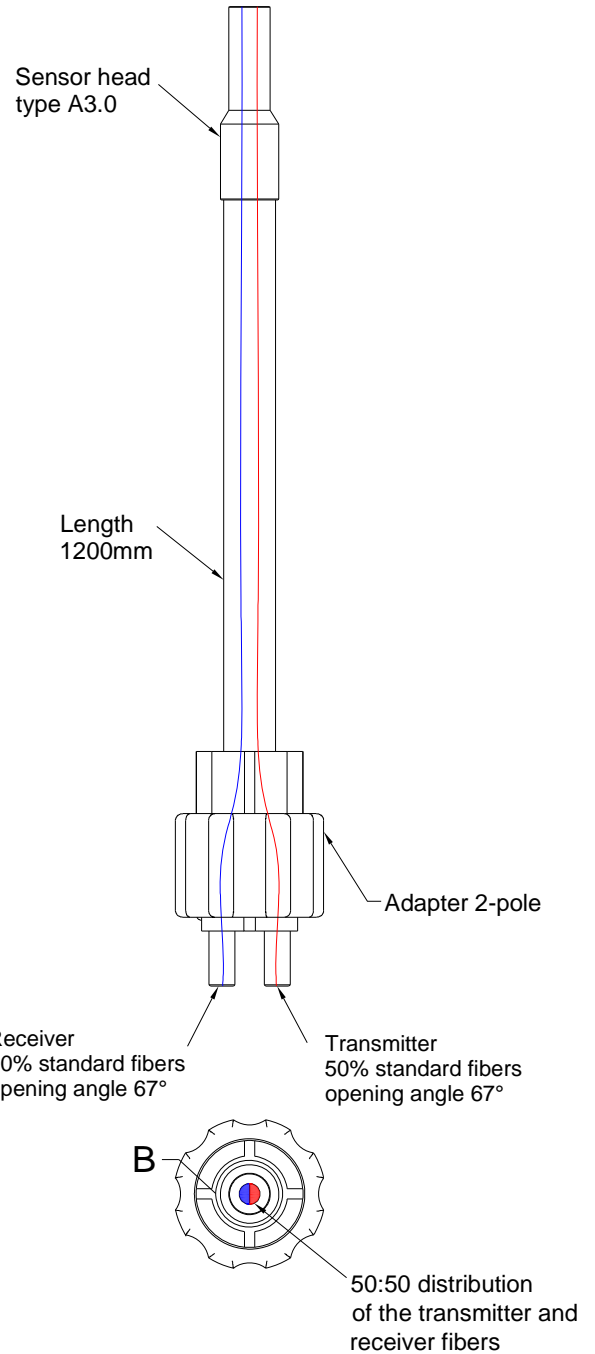
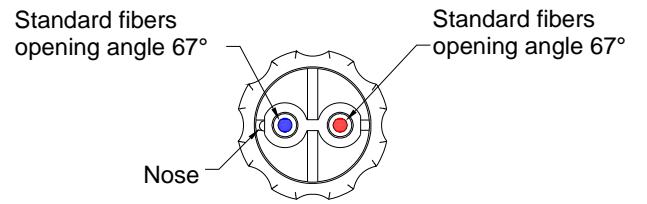
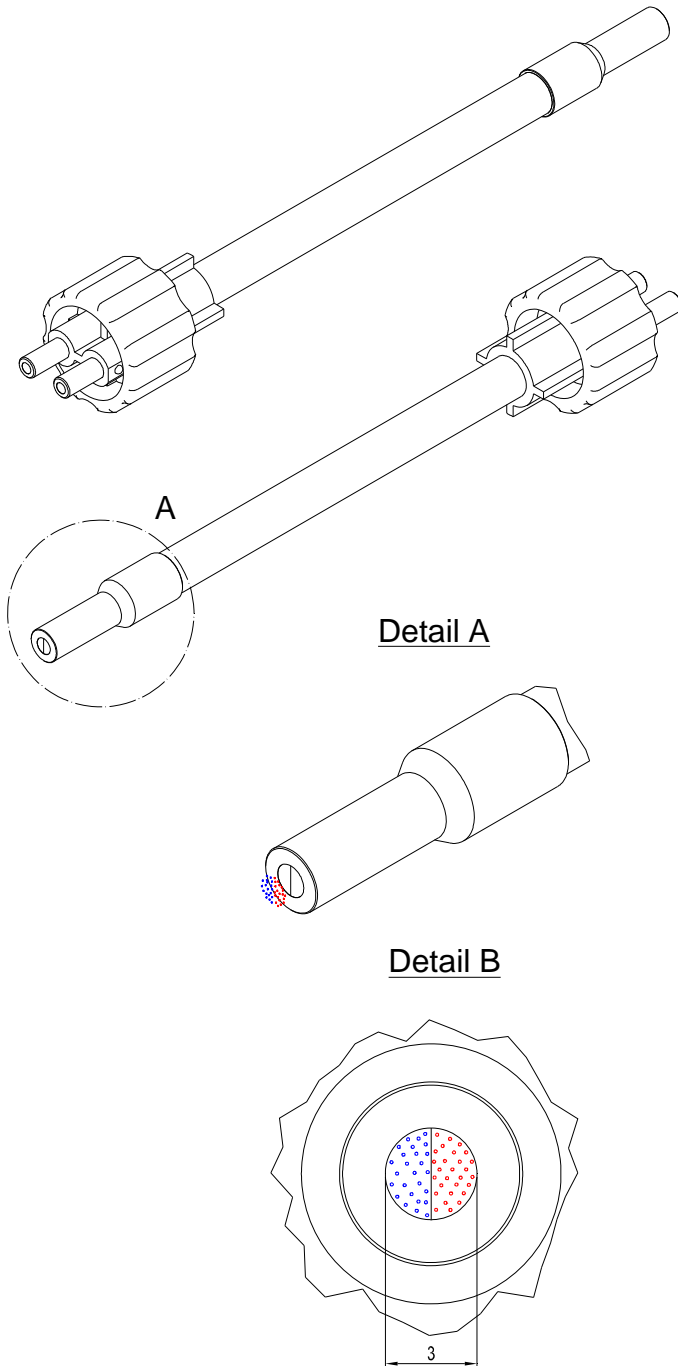


All dimensions in mm



Integrated Fiber Optics

R-S-A3.0-(2xd3/2)-1200-67°
 Reflected light fiber optics



Mounting Accessories

MOUNT-KL-D30-VA

Mounting device for KL-PLNG-BL-A3.0

