

# FIO Series

## ▶ KL-3-DIL-A2.0

### Optical frontend

- Suitable for through-beam fiber optics D-S-A2.0-(2.5)-... and reflected light fiber optics R-S-A2.0-(2.5)-... for separate transmitter-side/receiver-side light conduction
- Transmitter-side mounting (optionally also receiver-side mounting)
- Either transmitted-light arrangement (opposite) or V-arrangement (reflected-light forward reflection)
- Homogeneous light distribution by means of a volume lens
- Working distance in through-beam operation: typ. 10mm ... 200mm
- Working distance in V-operation: typ. 20mm ... 50mm
- Sturdy aluminum housing, anodized in black



## Design

### Product name:

**KL-3-DIL-A2.0**

Suitable for fiber optics (please order separately):

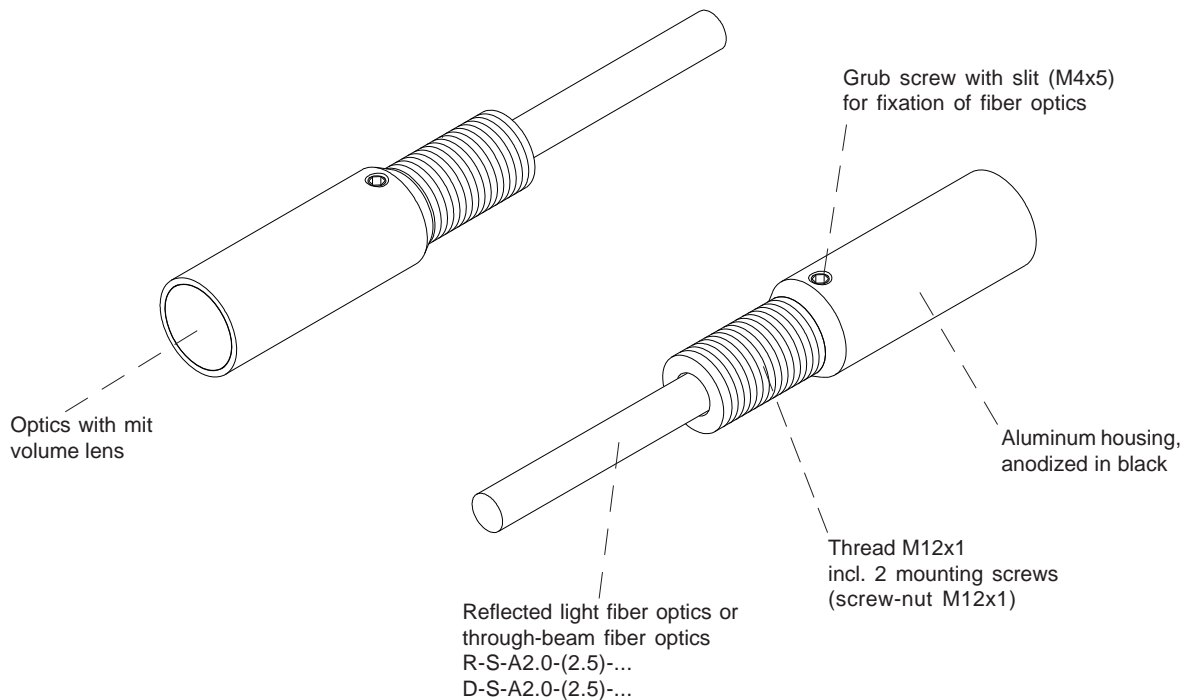
**Reflected light fiber optics**

R-S-A2.0-(2.5)-...

**Through-beam fiber optics**

D-S-A2.0-(2.5)-...

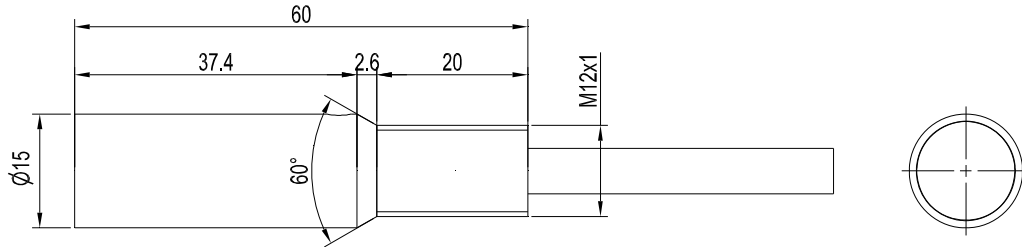
(standard lengths for fiber optics: 600 mm or 1200 mm)





**Dimensions**

**KL-3-DIL-A2.0**



All dimensions in mm



**Fiber Optics**

**R-S-A2.0-(2.5)-...**  
**D-S-A2.0-(2.5)-...**

