

FIO Series (Accessories)

► MOUNT-A3.0-45°-10

Mounting bracket for fiber optics
with sensor head type D-S-A3.0-... or R-S-A3.0-...

- For mounting and optimum alignment of a transmitted light fiber optics type D-S-A3.0-... or of a pair of reflected light fiber optics type R-S-A3.0-...-67° + R-S-A3.0-...-67°-(1P+1BP)
- Angle of incidence 45° at a distance of 10 mm to the object (vertical mounting) measured from vertical optics outlet
- Fixation of the fiber optics by means of plastic screws
- Sturdy aluminum housing, anodized in black
- Color control of high-glossy surfaces



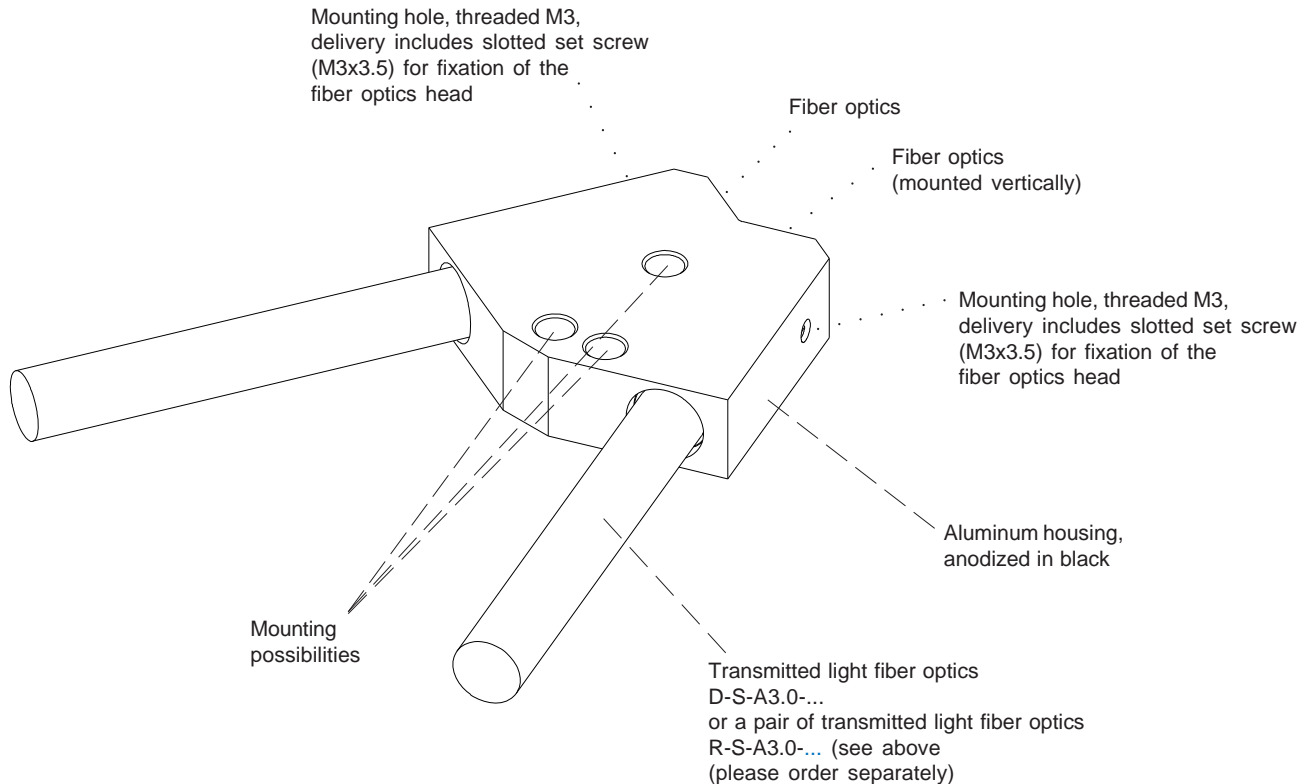
Design

Product name:

MOUNT-A3.0-45°-10
(formerly: KL-D-10/45°-A3.0)

suitable for transmitted light fiber optics D-S-A3.0-(3.0)-(length)-67°
or for two reflected light fiber optics in the following combination:
R-S-A3.0-(3.0)-(length)-67° (transmitter side) + R-S-A3.0-(3.0)-(length)-67°-(1P+1BP) (receiver side)
(standard length 600 mm or 1200 mm)

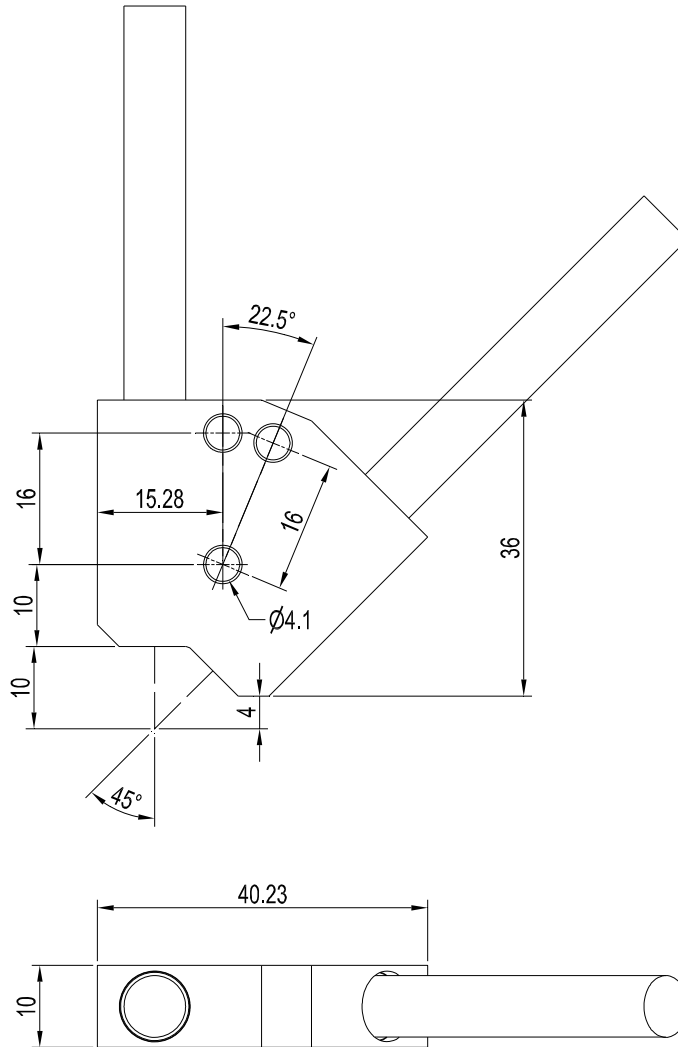
Please order fiber optics separately,
for further information please
cf. catalog „FIO Series“





Dimensions

MOUNT-A3.0-45°-10



All dimensions in mm