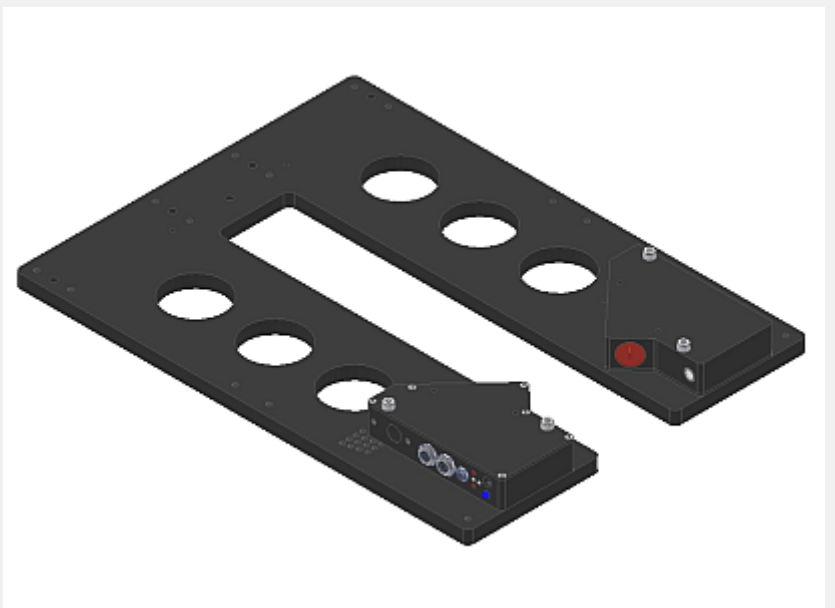


# Accessories

## ► C-MOUNT-LT-55-65/340

Mounting plate for Master/Slave line sensors  
L-LAS-LT-55-MA / -SL or  
L-LAS-LT-55-HS-MA / -SL

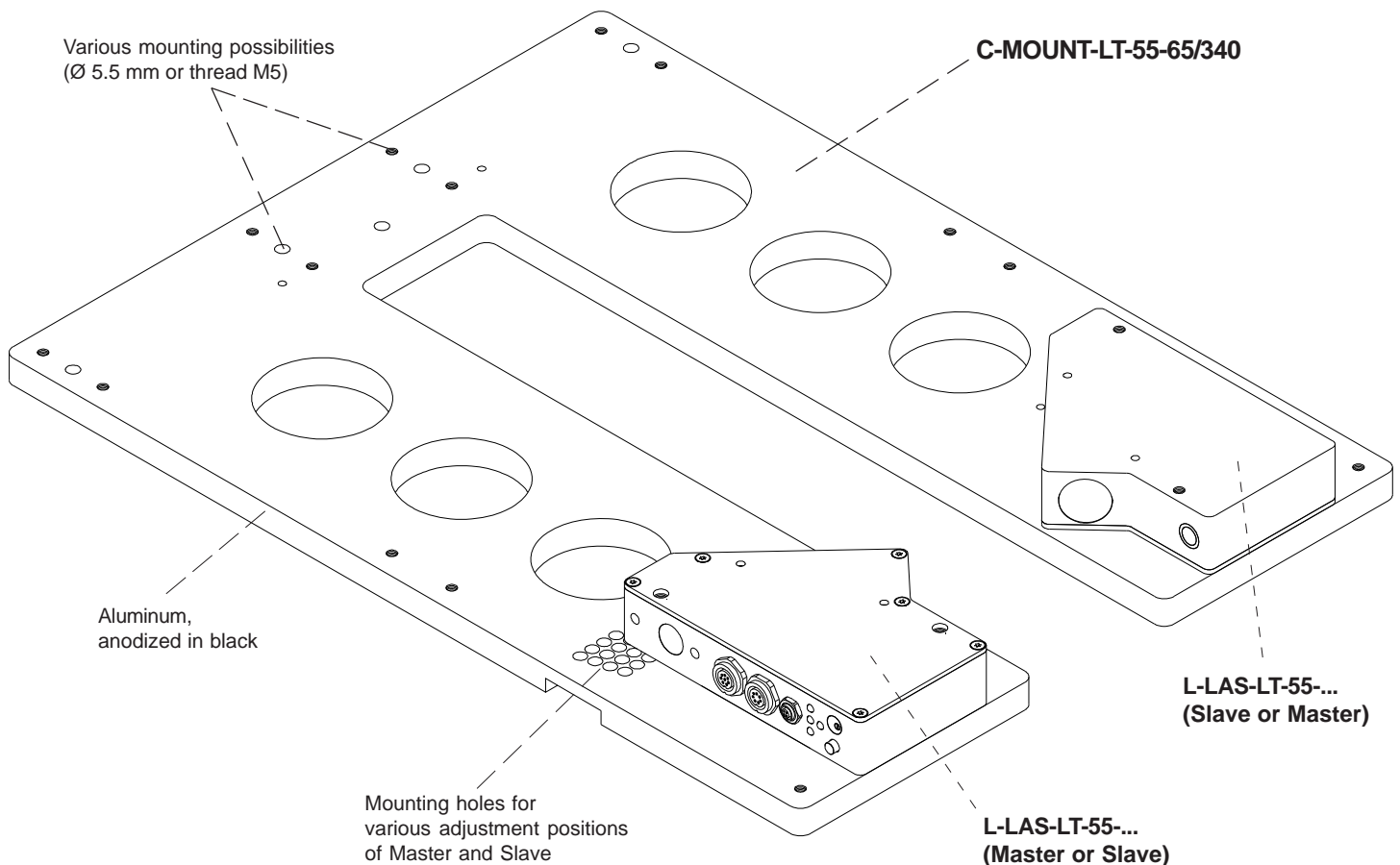
- Mounting plate in C-shape with several mounting holes
- Suitable for material depth up to 300 mm
- Distance Master and Slave (optical axis) adjustable in 3 mm steps (symmetrically each side 1.5 mm): from min. 69.6 mm to max. 114.6 mm
- Sturdy material (aluminum, anodized in black)



Design

### Product name:

**C-MOUNT-LT-55-65/340**





Adjustment Positions

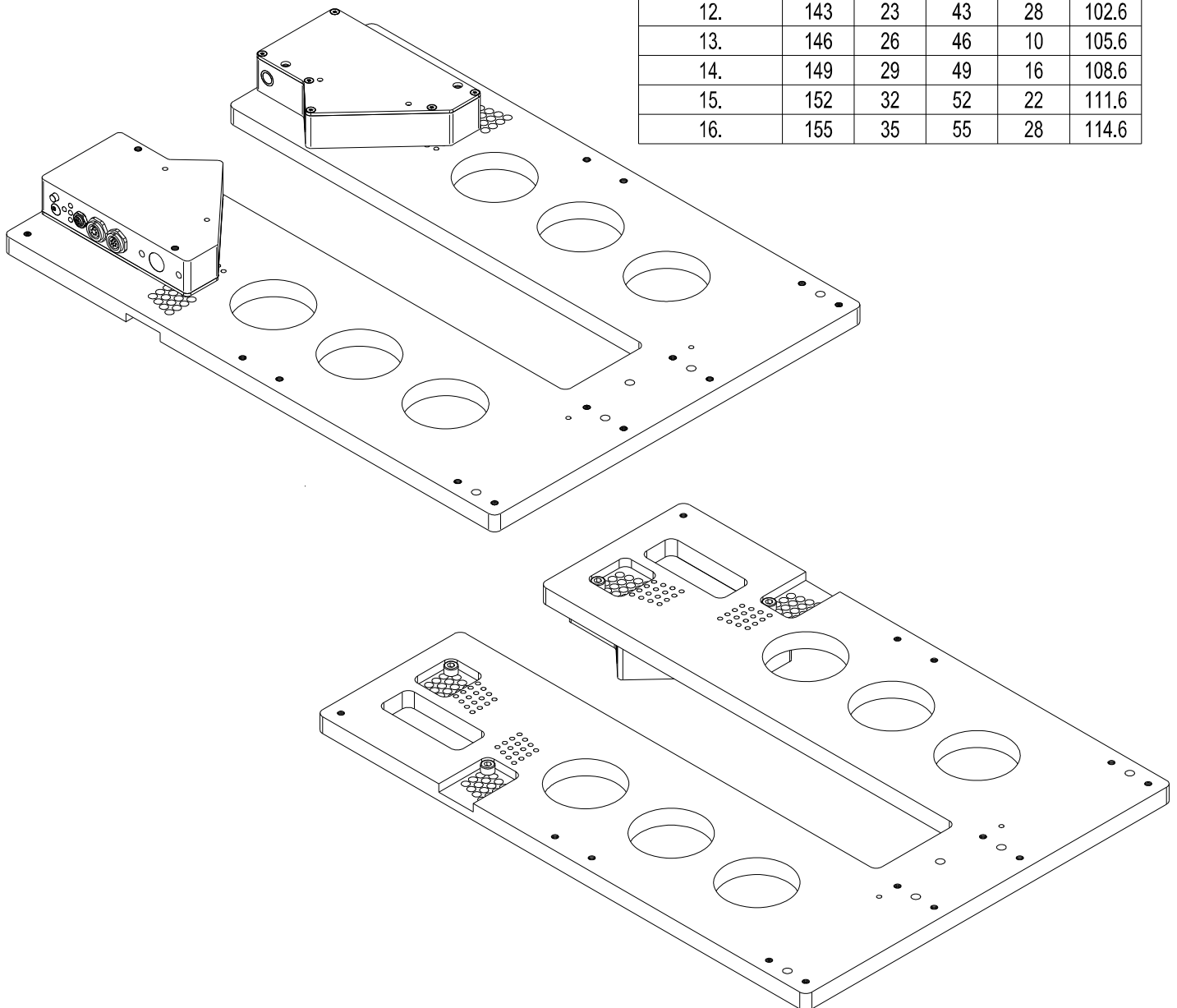
Mounting plate C-MOUNT-LT-55-65/340

suitable for Master/Slave line sensors  
 L-LAS-LT-55-MA / -SL or  
 L-LAS-LT-55-HS-MA / -SL

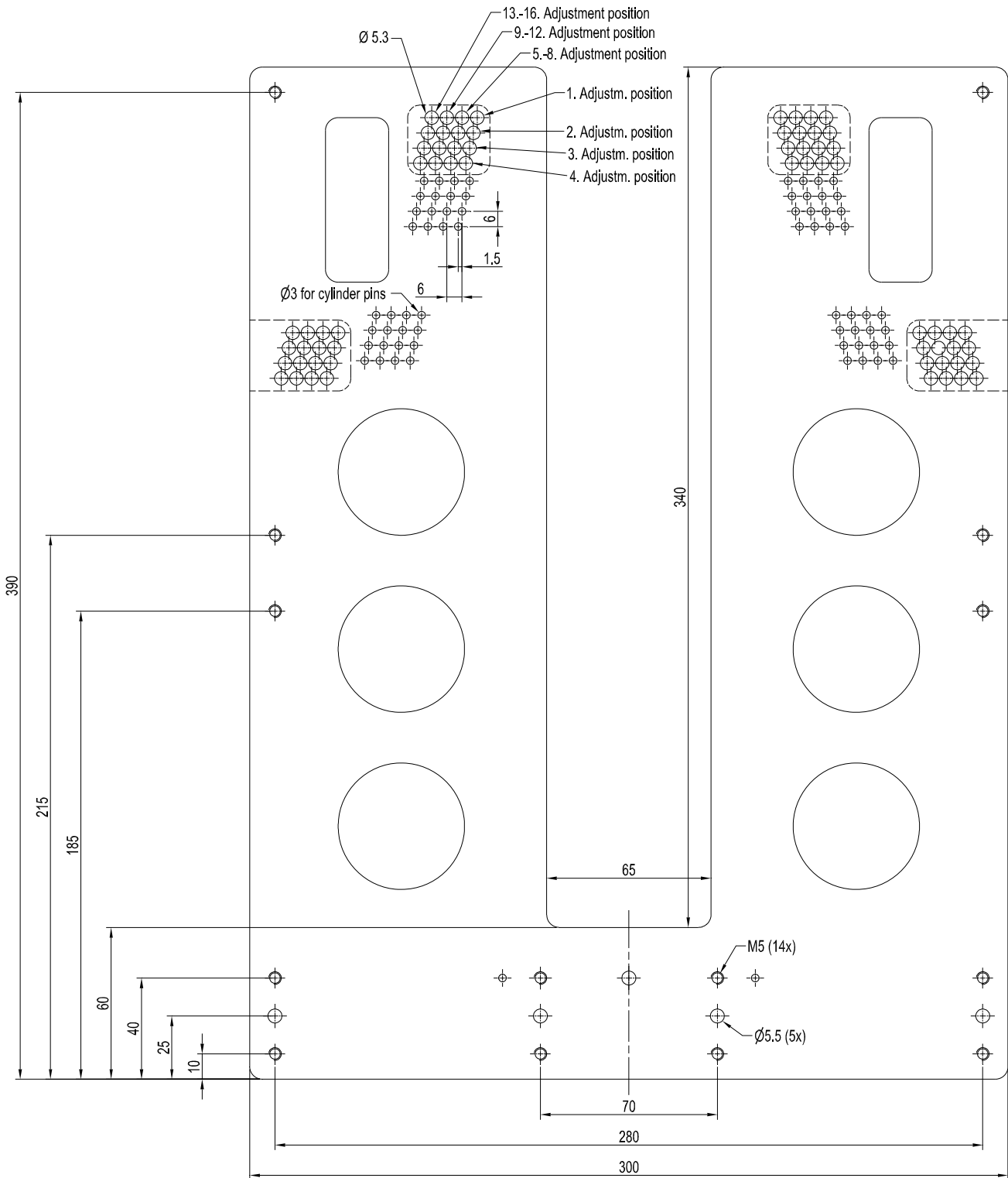
- Distance Master and Slave (optical axis) adjustable in 3 mm steps (symmetrically each side 1.5 mm): from min. 69.6 mm to max. 114.6 mm
- Sturdy aluminum housing, anodized in black

Adjustment positions (cf. drawing on the next page):  
 E = Distance Master/Slave (optical axis) in mm

Adjustment position	A	B	C	D	E
1.	110	0	10	10	69.6
2.	113	0	13	16	72.6
3.	116	0	16	22	75.6
4.	119	0	19	28	78.6
5.	122	2	22	10	81.6
6.	125	5	25	16	84.6
7.	128	8	28	22	87.6
8.	131	11	31	28	90.6
9.	134	14	34	10	93.6
10.	137	17	37	16	96.6
11.	140	20	40	22	99.6
12.	143	23	43	28	102.6
13.	146	26	46	10	105.6
14.	149	29	49	16	108.6
15.	152	32	52	22	111.6
16.	155	35	55	28	114.6

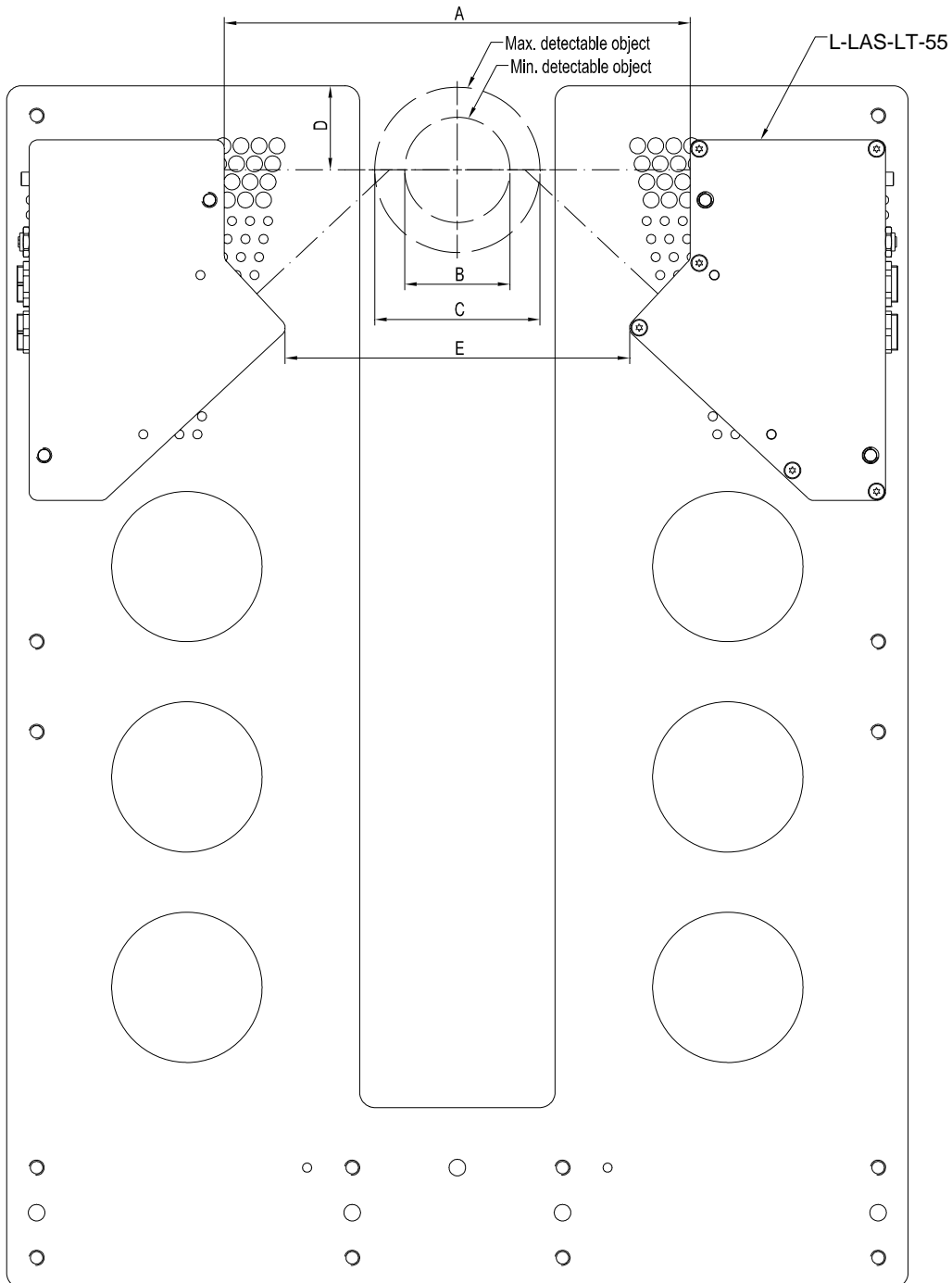
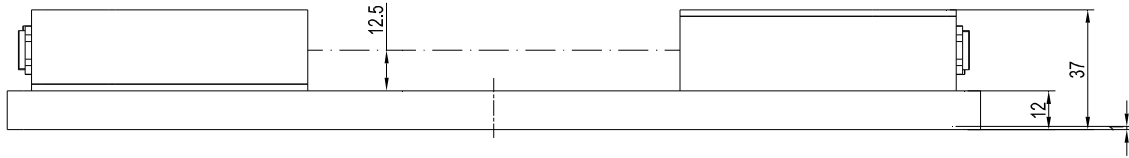


Dimensions



All dimensions in mm

Dimensions



All dimensions in mm