

# FIO Series (Accessories)

## ► MOUNT-A3.0/A3.0-0°/0°-9

Mounting unit for fiber optics of type  
D-S-A3.0-(3.0)-... or R-S-A3.0-(3.0)-...

- For mounting and optimum alignment of one transmitted light fiber optics type D-S-A3.0-(3.0)-... or of two reflected light fiber optics type R-S-A3.0-(3.0)-...
- Vertical mounting (0°/0°)
- Center distance of the two optics: 9mm
- Fixation of the fiber optics by means of plastic screws
- Various mounting possibilities
- Sturdy housing material (aluminum, anodized)
- Housing dimensions (LxWxH) approx. 30mm x 25mm x 17mm

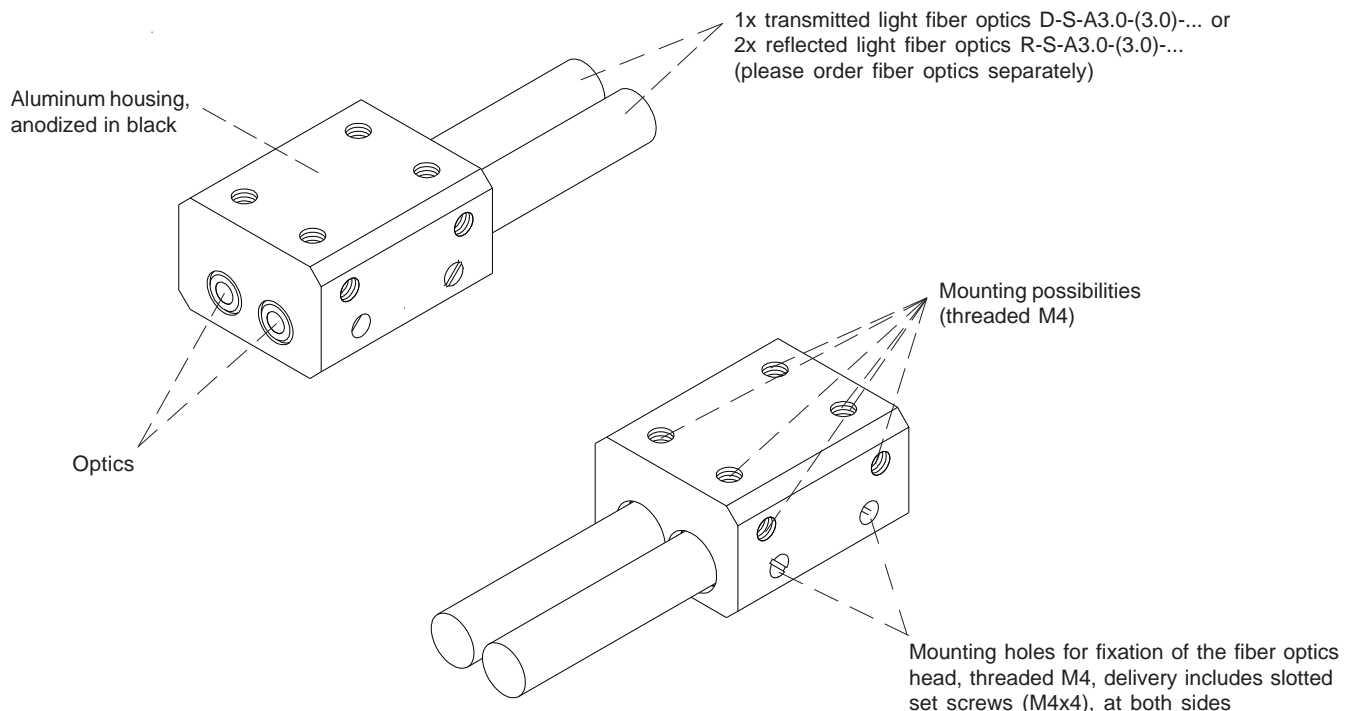


Design

### Product name:

**MOUNT-A3.0/A3.0-0°/0°-9** suitable for 1x transmitted light fiber optics D-S-A3.0-(3.0)-... or 2x reflected light fiber optics R-S-A3.0-(3.0)-...

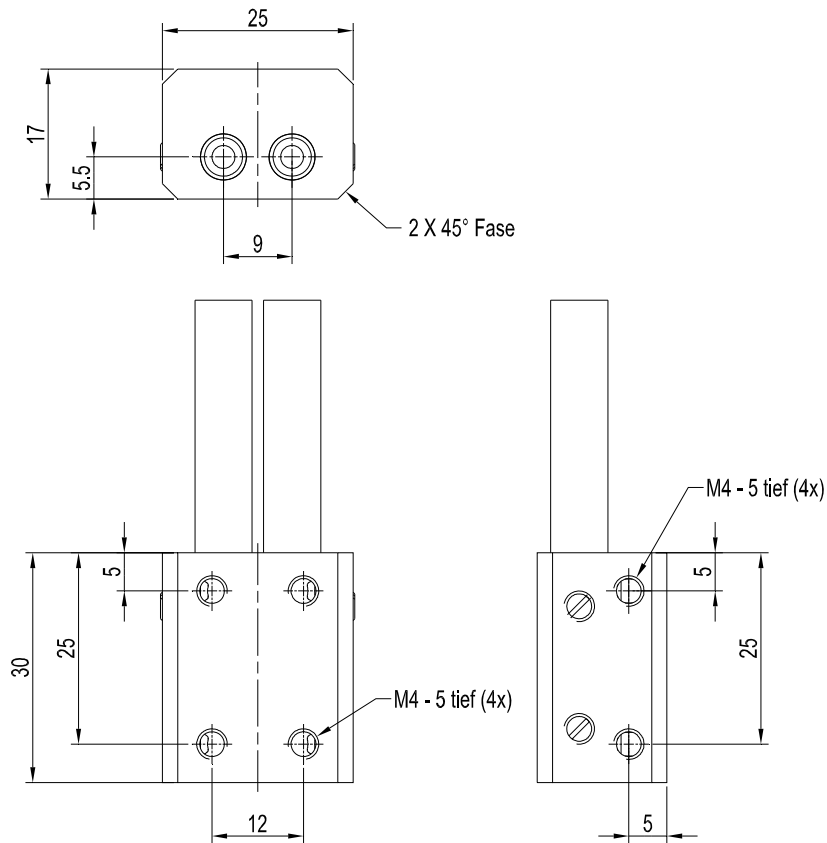
This mounting unit including fiber optics is used in connection with a SPECTRO-1-FIO or a SPECTRO-2-FIO sensor for distance measurement according to the BICONE principle.





Dimensions

MOUNT-A3.0/A3.0-0°/0°-9



All dimensions in mm