

FIO Series

▶ KL-5-R-R1.1

Optical frontend (with level optics)

- Optical frontend for reflected light fiber optics R-S-R1.1-(3x0.5)-... (fiber optics is available in various versions)
- Optics level with the housing
- Working distance typ. 8 mm ... 20 mm
- Focusing onto a small light spot (spot diameter at a distance of 10 mm: typ. 2 mm x 0.2 mm)
- Color measurement of small objects at a relatively big distance
- Scratch resistant glass optics
- Sturdy aluminum housing, anodized in black



Design

Product name:

KL-5-R-R1.1

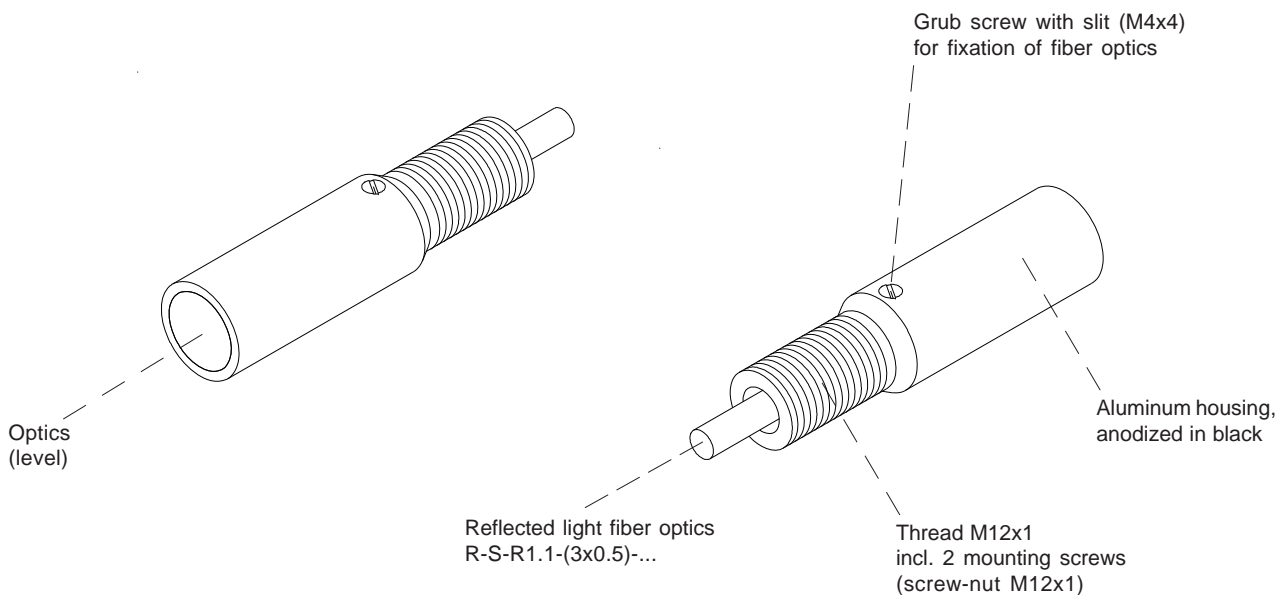
Suitable for fiber optics (please order separately):

Reflected light fiber optics

R-S-R1.1-(3x0.5)-...-67° or

R-S-R1.1-(3x0.5)-...-22°

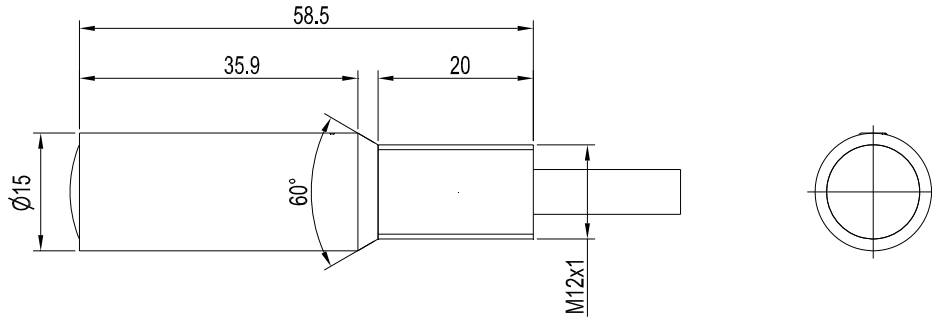
(standard lengths for fiber optics: 600 mm or 1200 mm)





Dimensions

KL-5-R-R1.1



All dimensions in mm