

Accessories

▶ SPECTRO-3-12-DIF-OFL

Spacer (offline unit)
suitable for use with color sensors of type
SPECTRO-3-12-DIF-MSM-ANA-DL
SPECTRO-3-12-DIF-MSM-DIG-DL

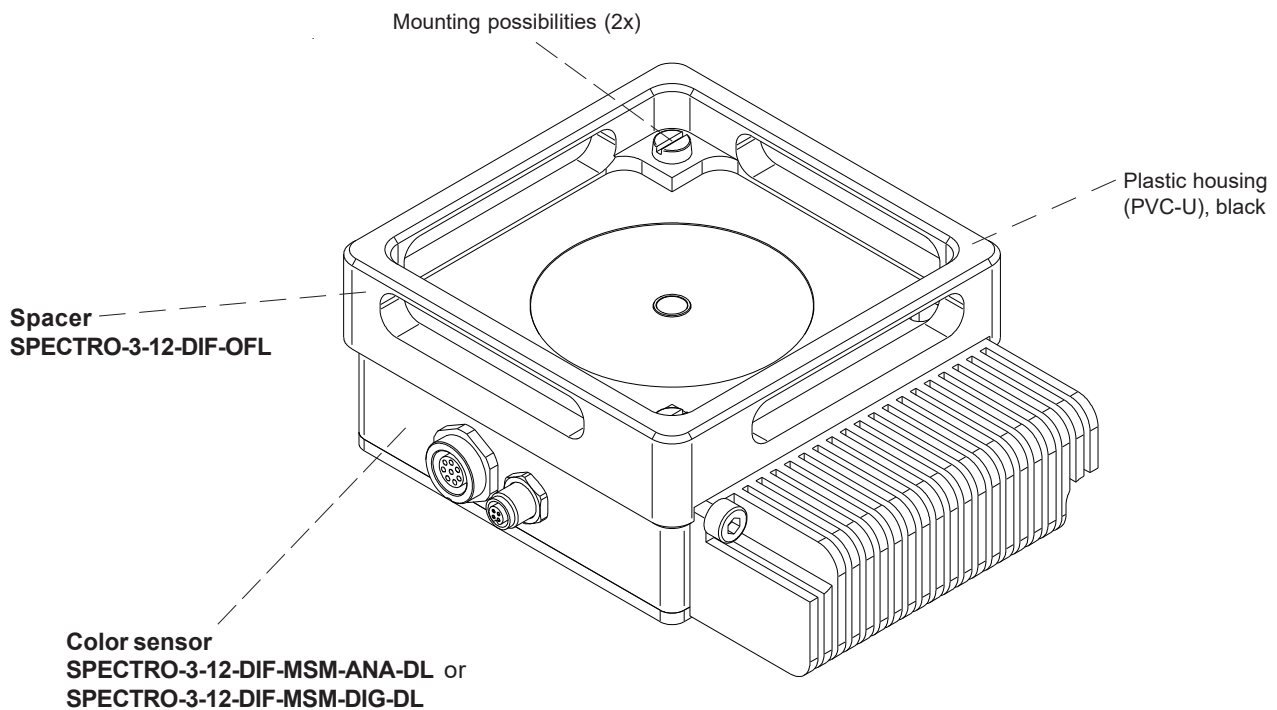
- Makes it possible to use SPECTRO-3-12-DIF-... color sensors as a hand-held
- Reference distance 12 mm to measuring object by direct contact
- Sturdy housing (PVC-U)



Design

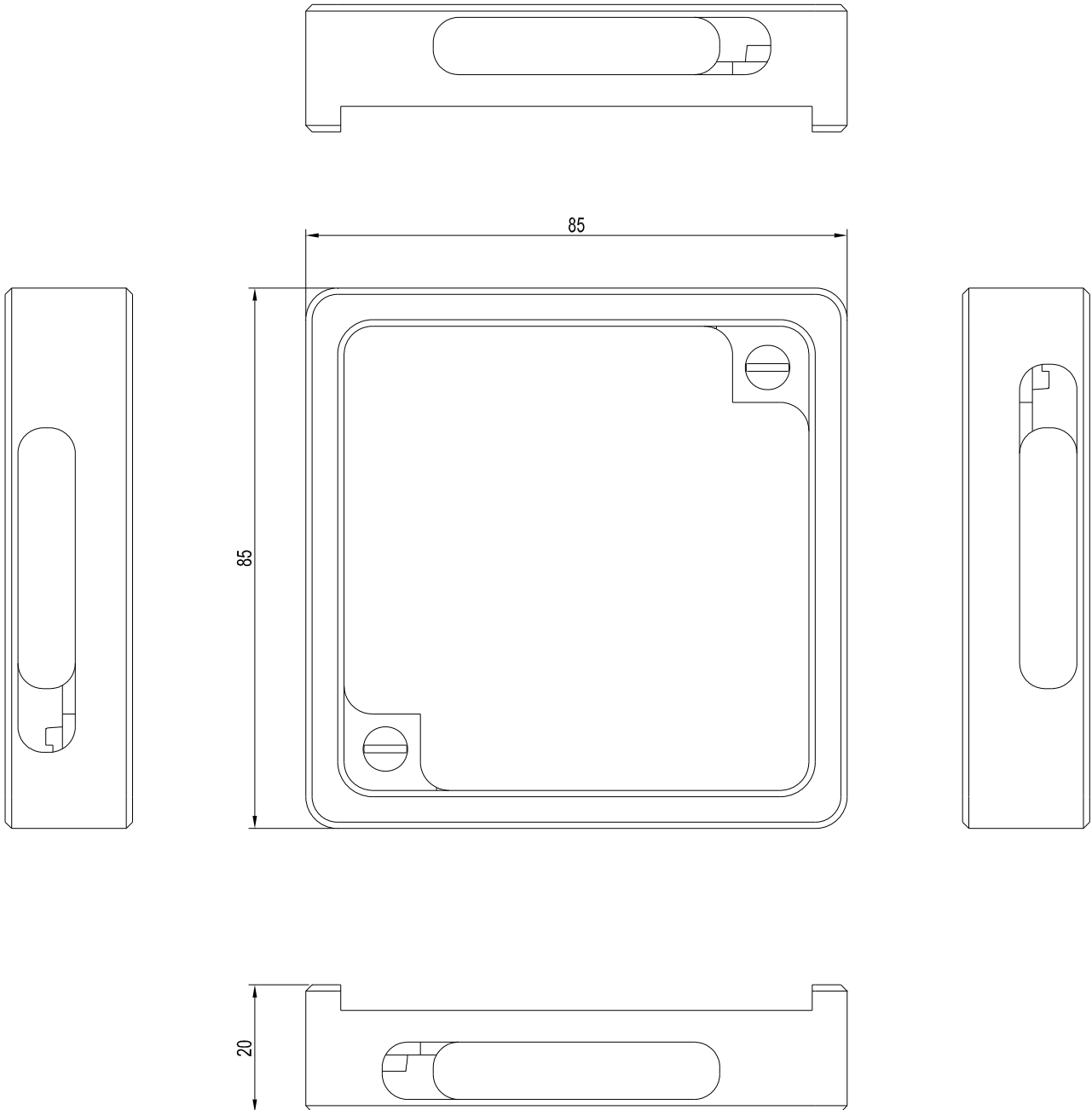
Product name:

SPECTRO-3-12-DIF-OFL (Spacer)





Dimensions



(All dimensions in mm)



Reference Distance

Reference distance for offline unit SPECTRO-3-12-DIF-OFL mounted on color sensor SPECTRO-3-12-DIF-MSM-ANA-DL or SPECTRO-3-12-DIF-MSM-DIG-DL

