

# Accessories

## ▶ SI-COLO-OFL-30

Top part on optics / spacer  
for mounting on color sensors of type  
SI-COLO4-30-DIL  
SI-COLO4-30-FCL

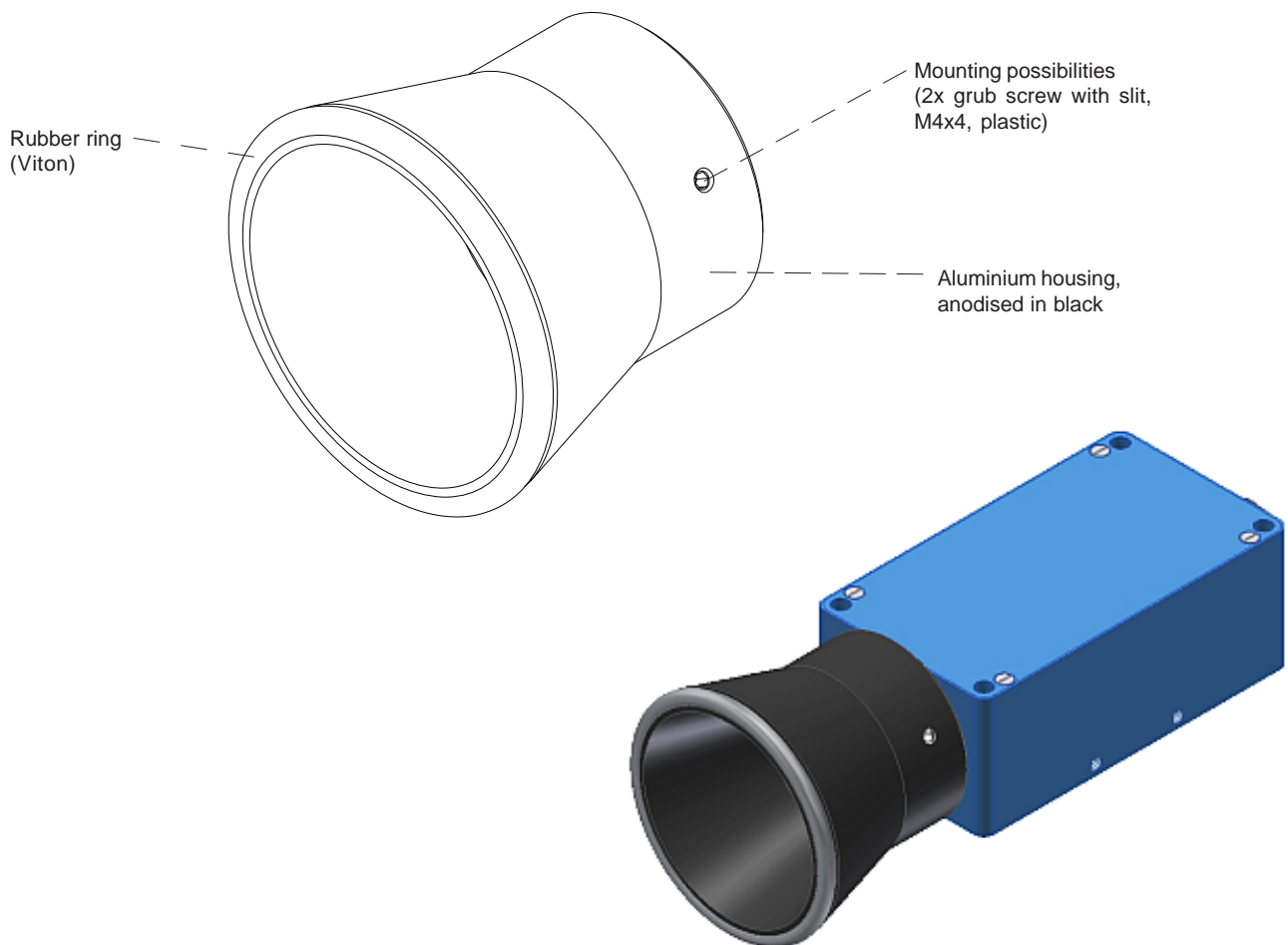
- Enables the use of the SI-COLO4-30-DIL or SI-COLO4-30-FCL sensor as a handheld device
- Reference distance 30 mm to measuring object by direct contact
- Sturdy housing material (aluminium, anodised in black)



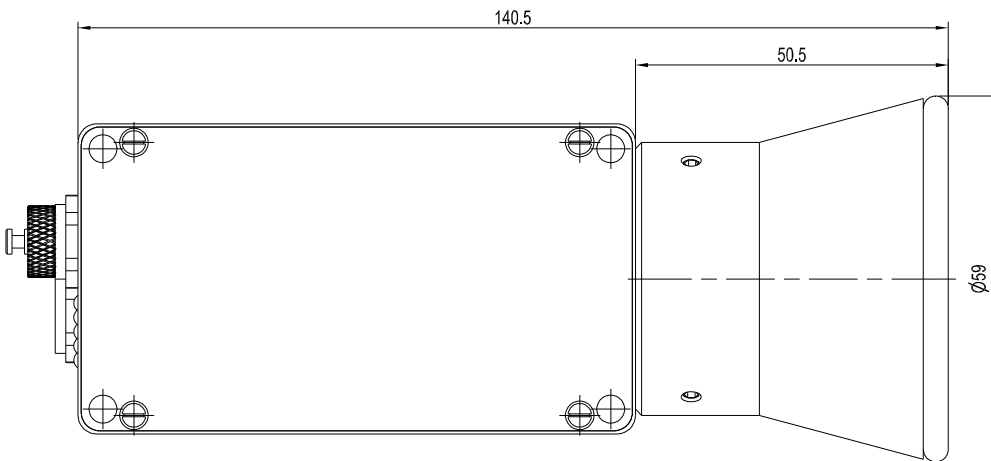
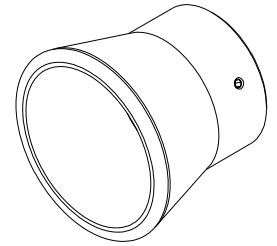
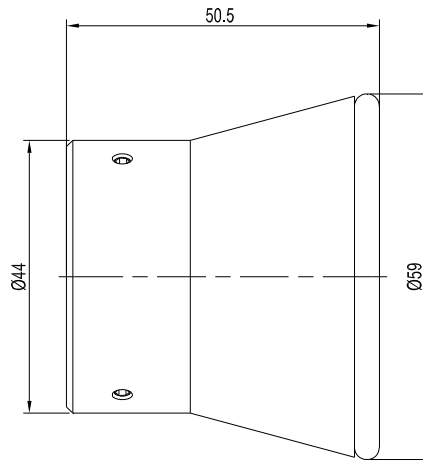
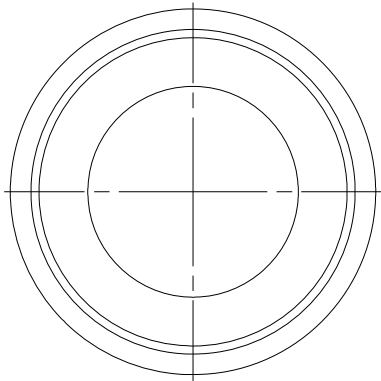
Design

### Product name:

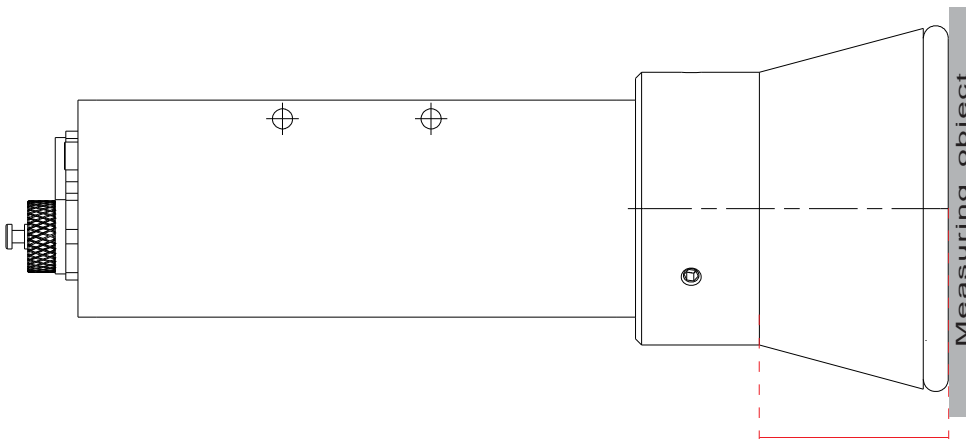
SI-COLO-OFL-30 (spacer)



Dimensions



(All dimensions in mm)



Reference distance  
30 mm

