

Accessories

▶ C-MOUNT-LT-110

Mounting plate for Master/Slave line sensors
 L-LAS-LT-110-MA / -SL or
 L-LAS-LT-110-HS-MA / -SL

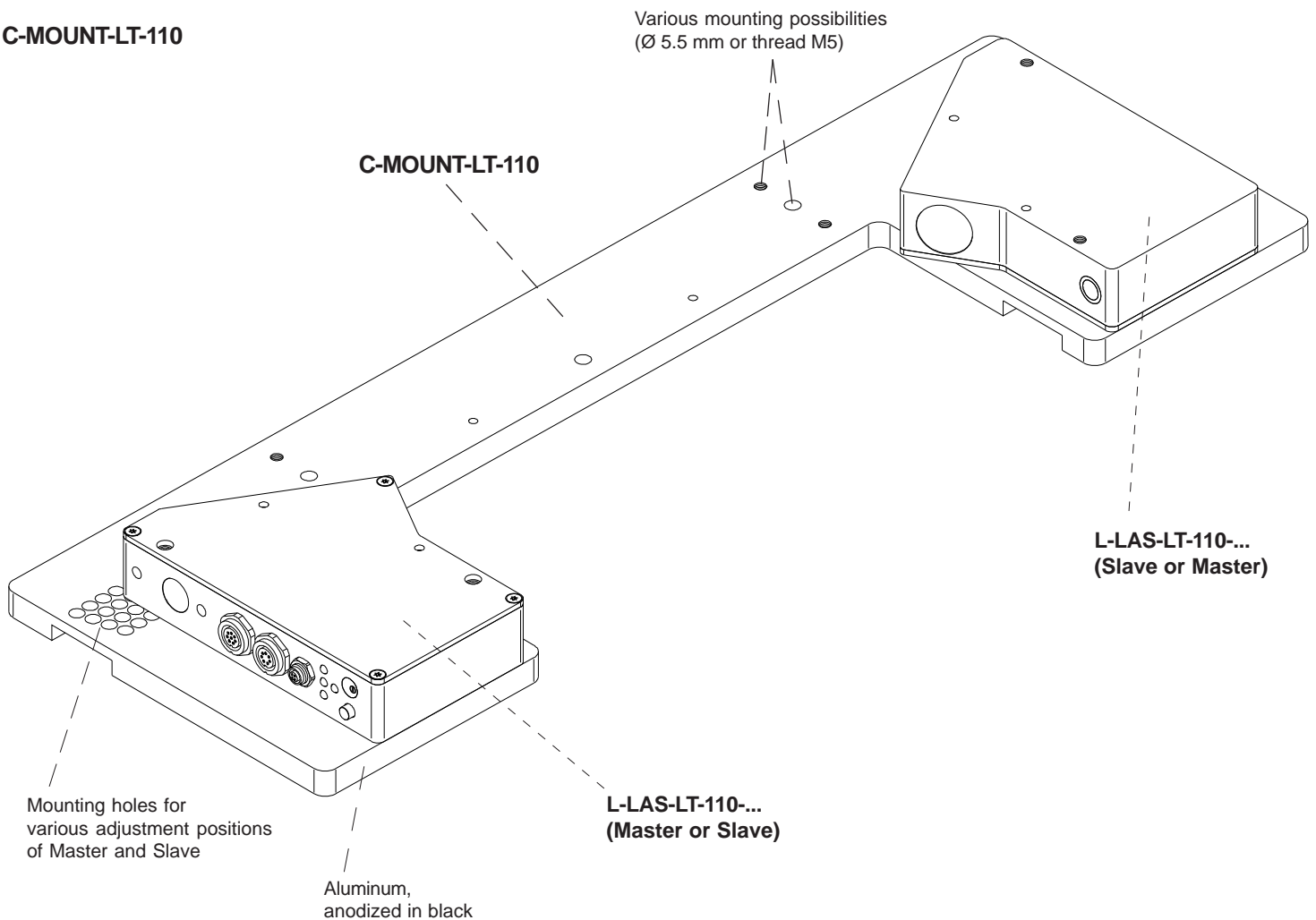
- Mounting plate in C-shape with several mounting holes
- Distance Master and Slave (optical axis) adjustable in 3 mm steps (symmetrically each side 1.5 mm): from min. 231.8 mm to max. 276.8 mm
- Sturdy material (aluminum, anodized in black)



Design

Product name:

C-MOUNT-LT-110





Adjustment Positions

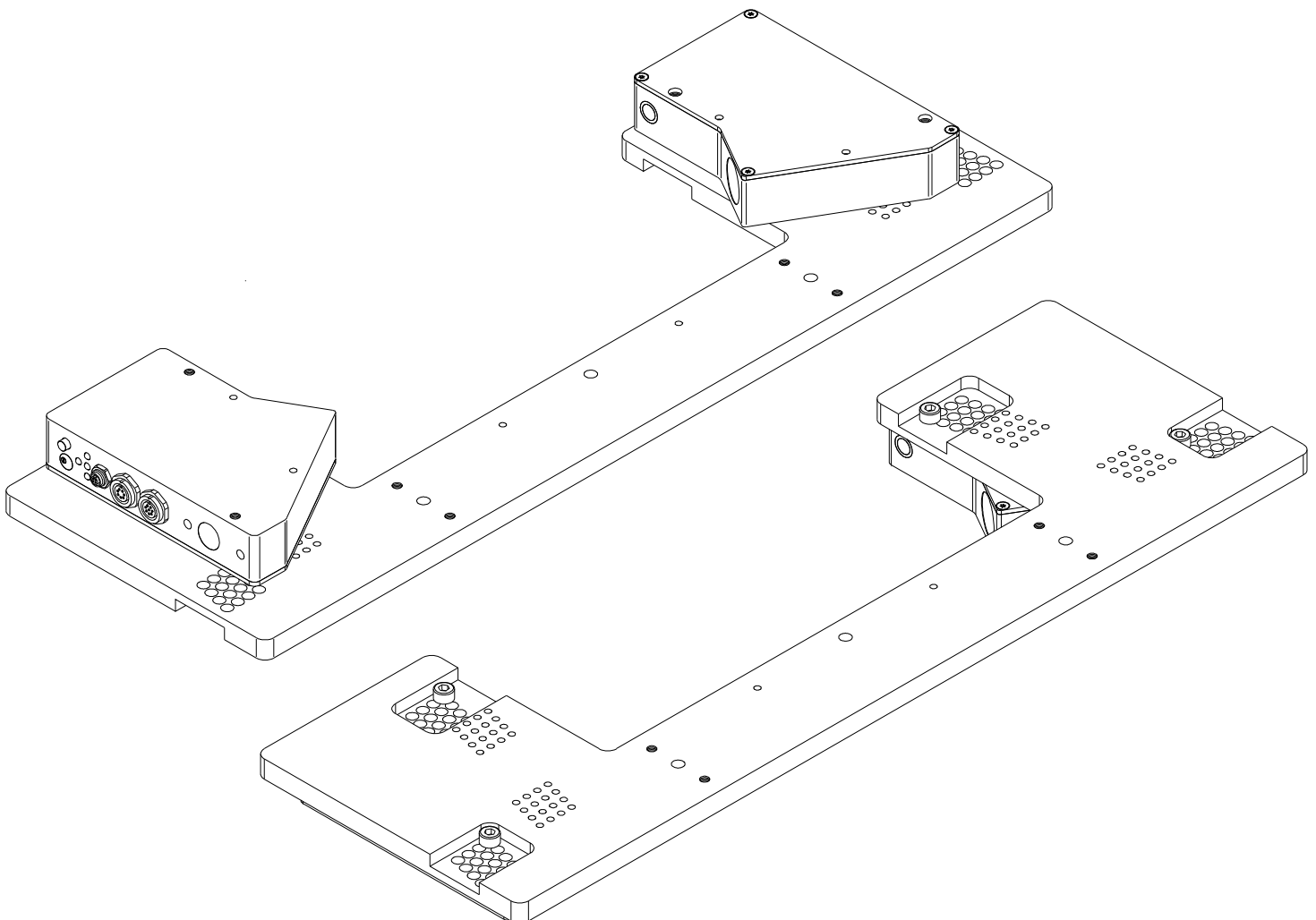
Mounting plate C-MOUNT-LT-110

suitable for Master/Slave line sensors
L-LAS-LT-110-MA / -SL or
L-LAS-LT-110-HS-MA / -SL

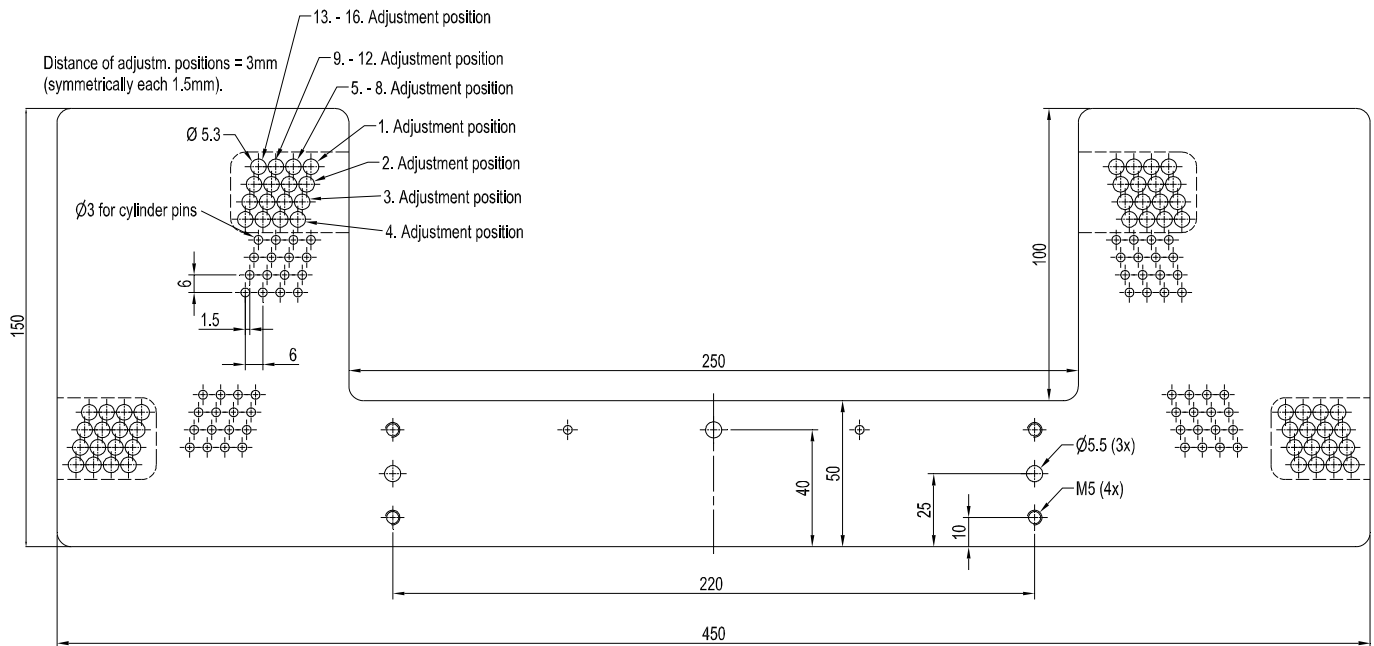
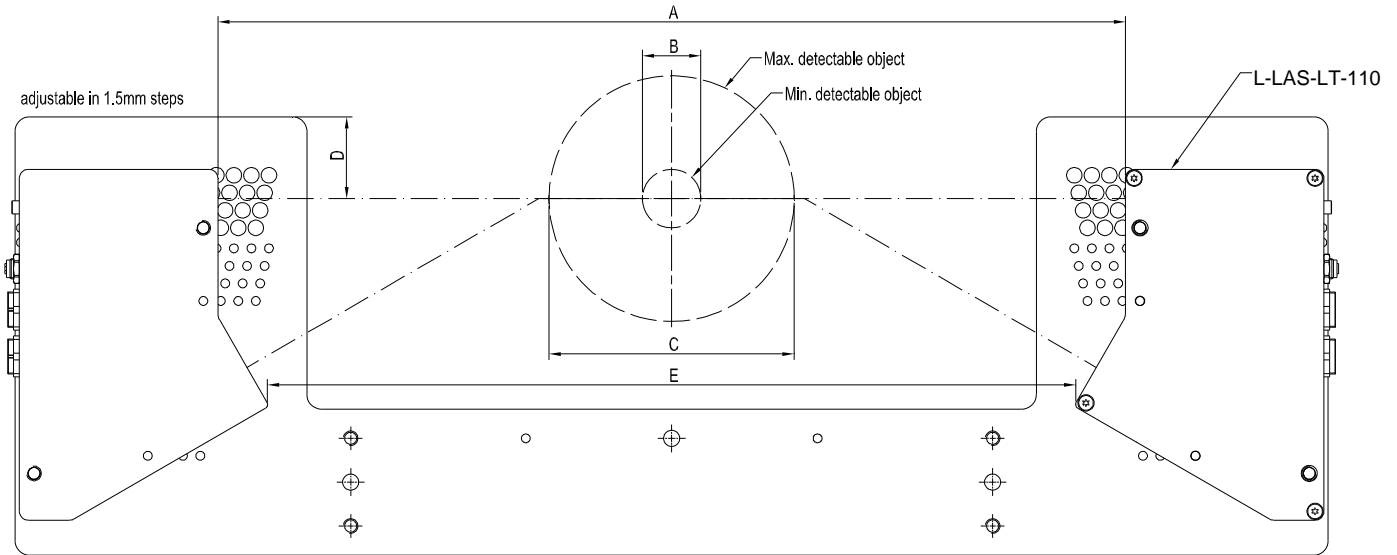
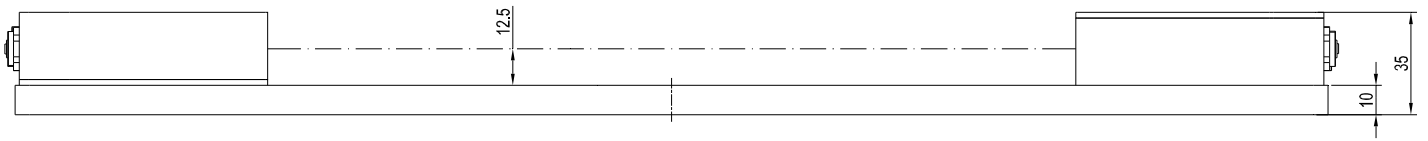
- Distance Master and Slave (optical axis) adjustable in 3 mm steps (symmetrically each side 1.5 mm): from min. 231.8 mm to max. 276.8 mm
- Sturdy material (aluminum, anodized in black)

Adjustment positions (cf. drawing on the next page):
E = Distance Master/Slave (optical axis) in mm

Adjustment position	A	B	C	D	E
1.	266	0	85	10	231.8
2.	269	0	88	16	234.8
3.	272	0	91	22	237.8
4.	275	2	94	28	240.8
5.	278	5	97	10	243.8
6.	281	8	100	16	246.8
7.	284	11	103	22	249.8
8.	287	14	106	28	252.8
9.	290	17	109	10	255.8
10.	293	20	112	16	258.8
11.	296	23	115	22	261.8
12.	299	26	118	28	264.8
13.	302	29	121	10	267.8
14.	305	32	124	16	270.8
15.	308	35	127	22	273.8
16.	311	38	130	28	276.8



Dimensions



(All dimensions in mm)