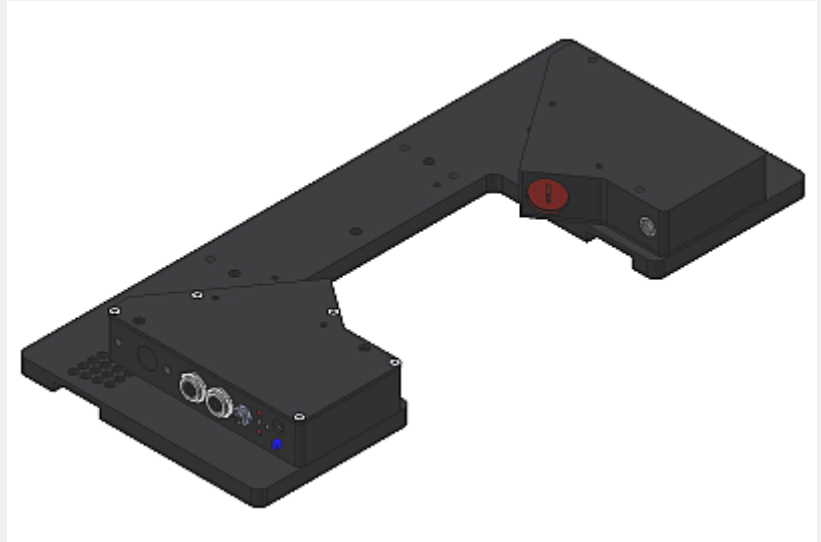


# Accessories

## ▶ C-MOUNT-LT-80

Mounting plate for Master/Slave line sensors  
 L-LAS-LT-80-MA/-SL or  
 L-LAS-LT-80-HS-MA/-SL

- Mounting plate in C-shape with several mounting holes
- Distance Master and Slave (optical axis) adjustable in 3 mm steps (symmetrically each side 1.5 mm): from min. 116.8 mm to max. 161.8 mm
- Sturdy material (aluminum, anodized in black)



Design

**Product name:**

**C-MOUNT-LT-80**

Various mounting possibilities  
 (Ø 5.5 mm or thread M5)

C-MOUNT-LT-80

L-LAS-LT-80-...  
 (Slave or Master)

Mounting holes for  
 various adjustment positions  
 of Master and Slave

L-LAS-LT-80-...  
 (Master or Slave)

Aluminum,  
 anodized in black



Adjustment Positions

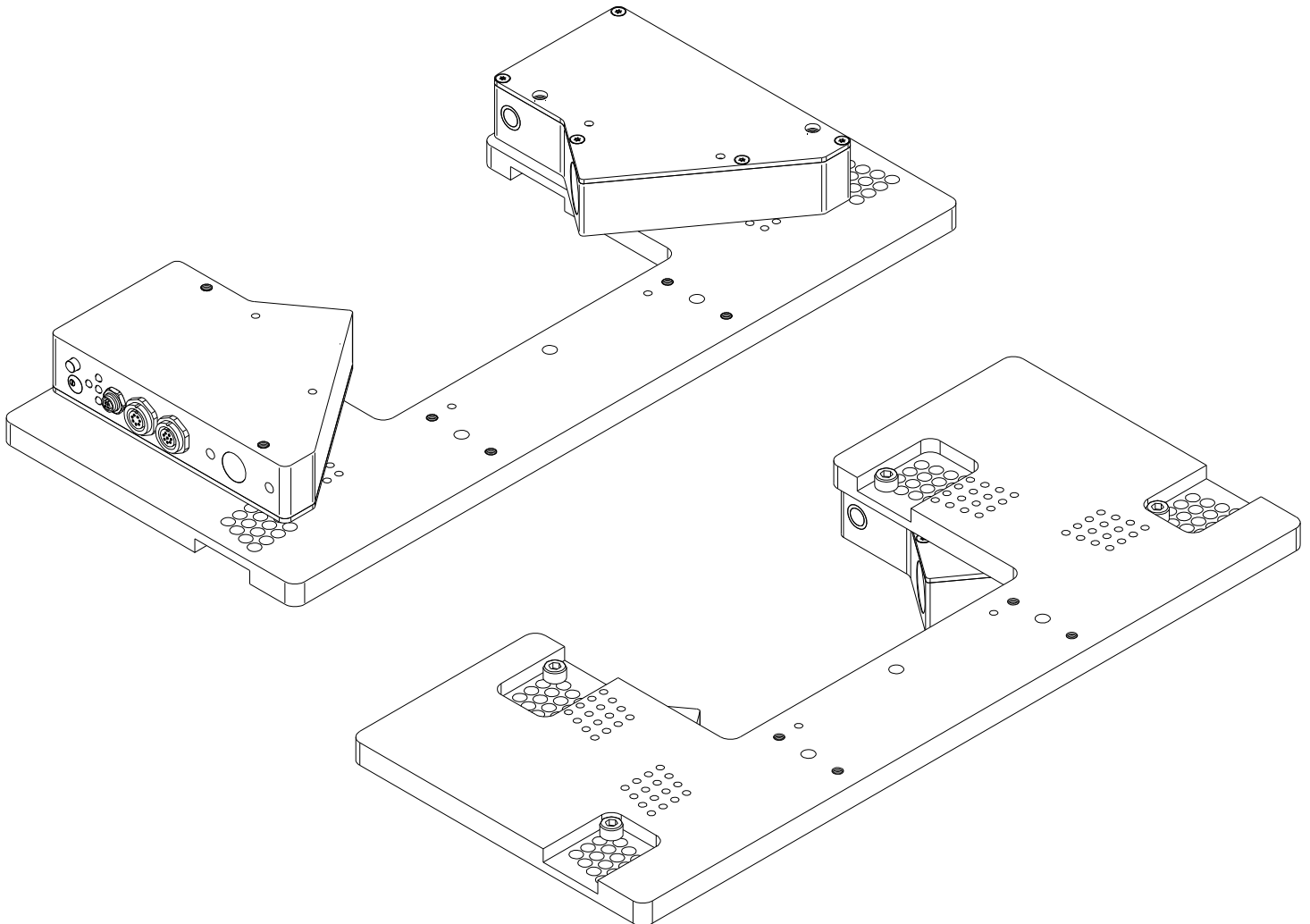
**Mounting plate C-MOUNT-LT-80**

suitable for Master/Slave line sensors  
**L-LAS-LT-80-MA / -SL**  
**L-LAS-LT-80-HS-MA / -SL**

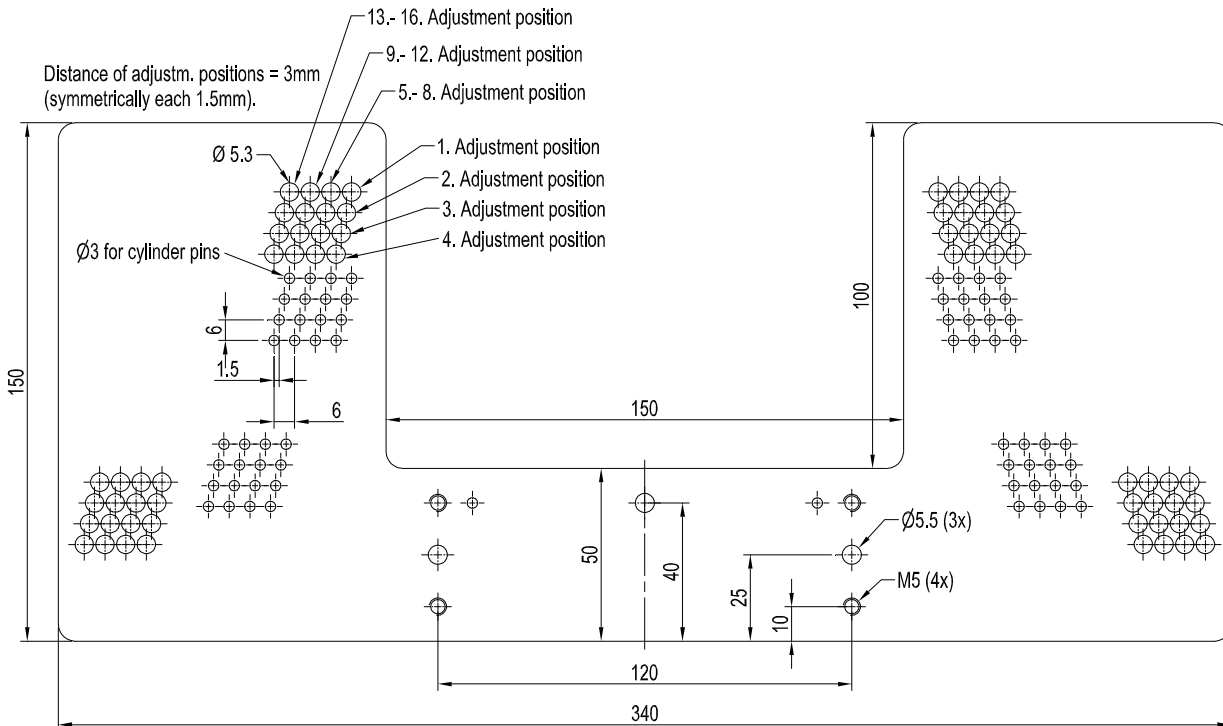
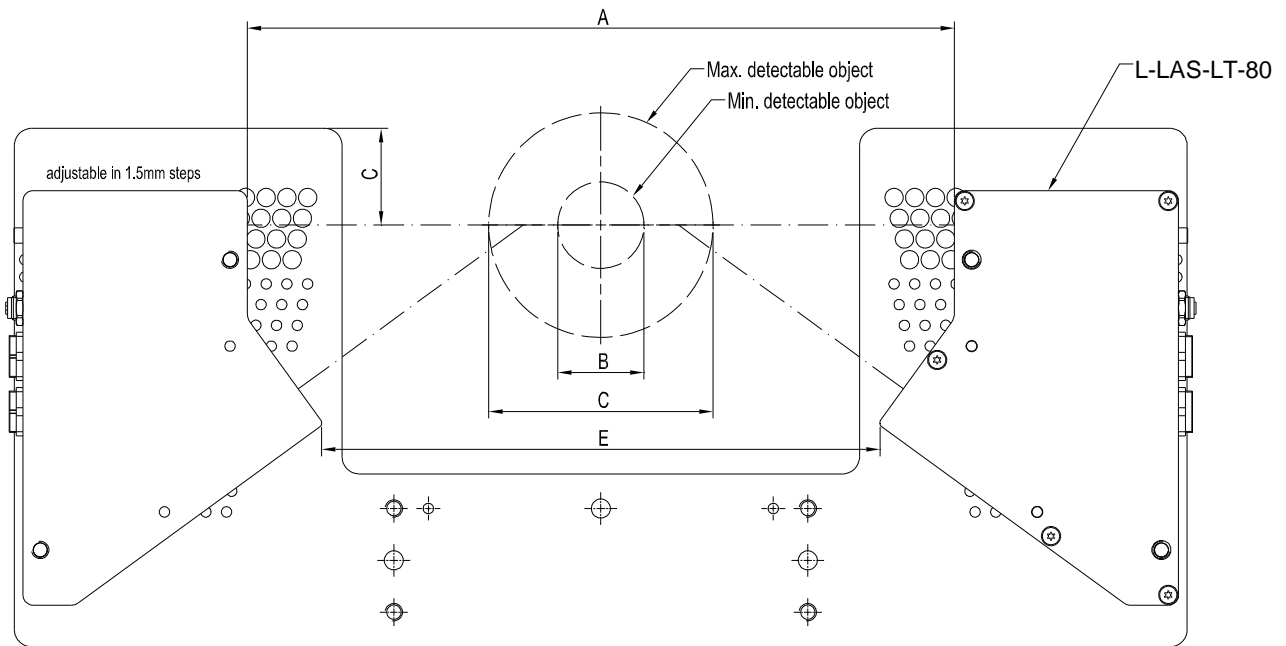
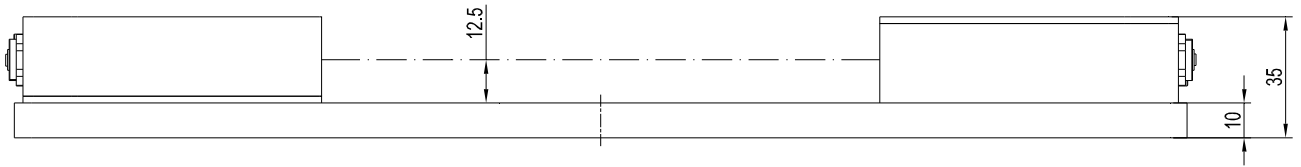
- Distance Master and Slave (optical axis) adjustable in 3 mm steps (symmetrically each side 1.5 mm): from min. 116.8 mm to max. 161.8 mm

Adjustment positions (cf. drawing on the next page):  
**E = Distance Master/Slave (optical axis) in mm**

Adjustment position	A	B	C	D	E
1.	160	0	20	10	116.8
2.	163	0	23	16	119.8
3.	166	0	26	22	122.8
4.	169	0	29	28	125.8
5.	172	0	32	10	128.8
6.	175	0	35	16	131.8
7.	178	0	38	22	134.8
8.	181	1	41	28	137.8
9.	184	4	44	10	140.8
10.	187	7	47	16	143.8
11.	190	10	50	22	146.8
12.	193	13	53	28	149.8
13.	196	16	56	10	152.8
14.	199	19	59	16	155.8
15.	202	22	62	22	158.8
16.	205	25	65	28	161.8



Dimensions



(All dimensions in mm)