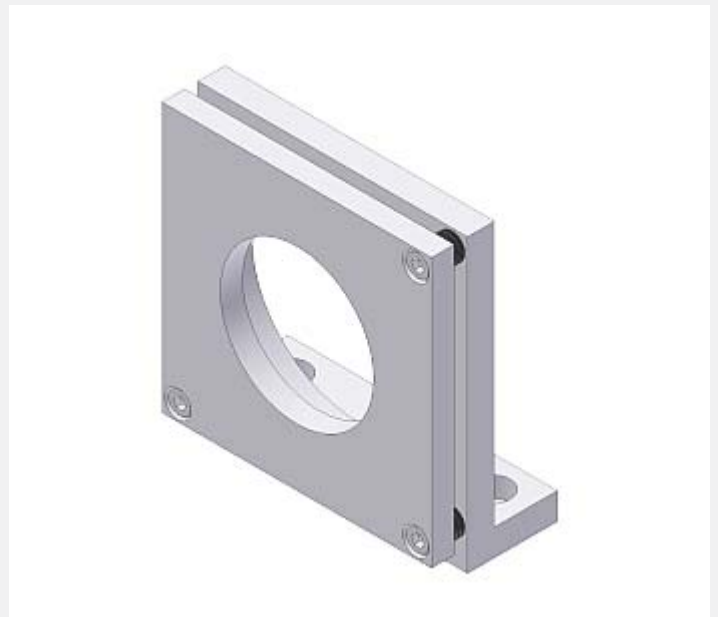


Zubehör

▶ WFL-34

Mounting flange (angle tpe 90°) for color sensors of the SPECTRO-3 Series

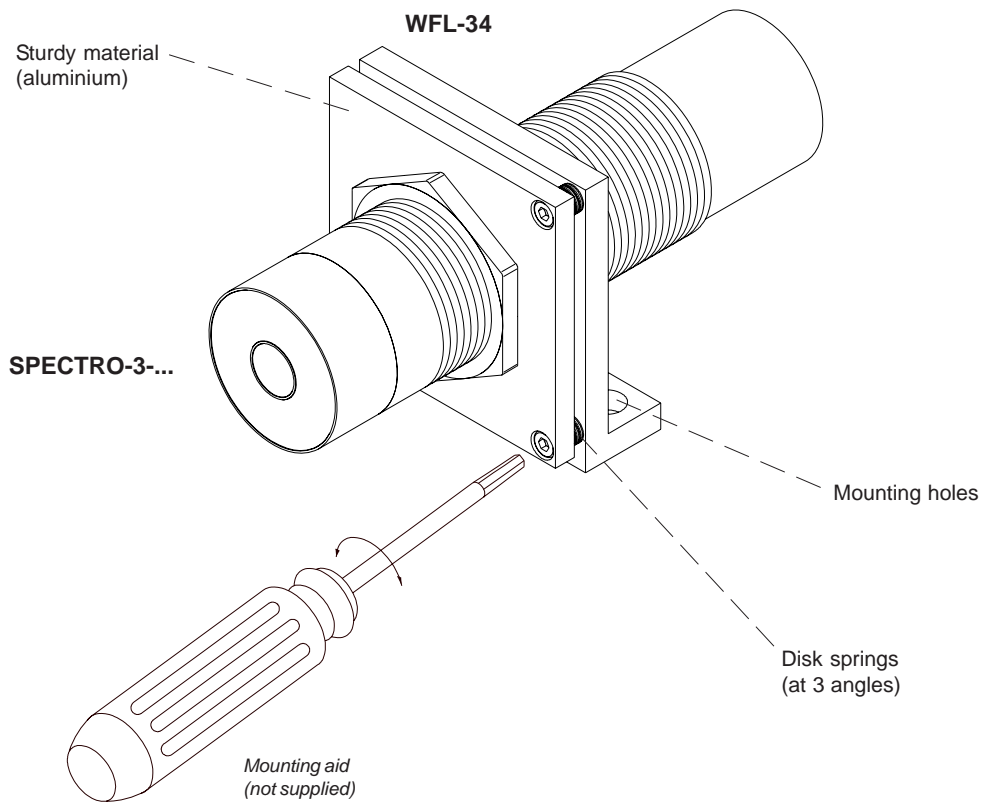
- Exact alignment by means of disk springs
- Sturdy material (aluminium)



Design

Product name:

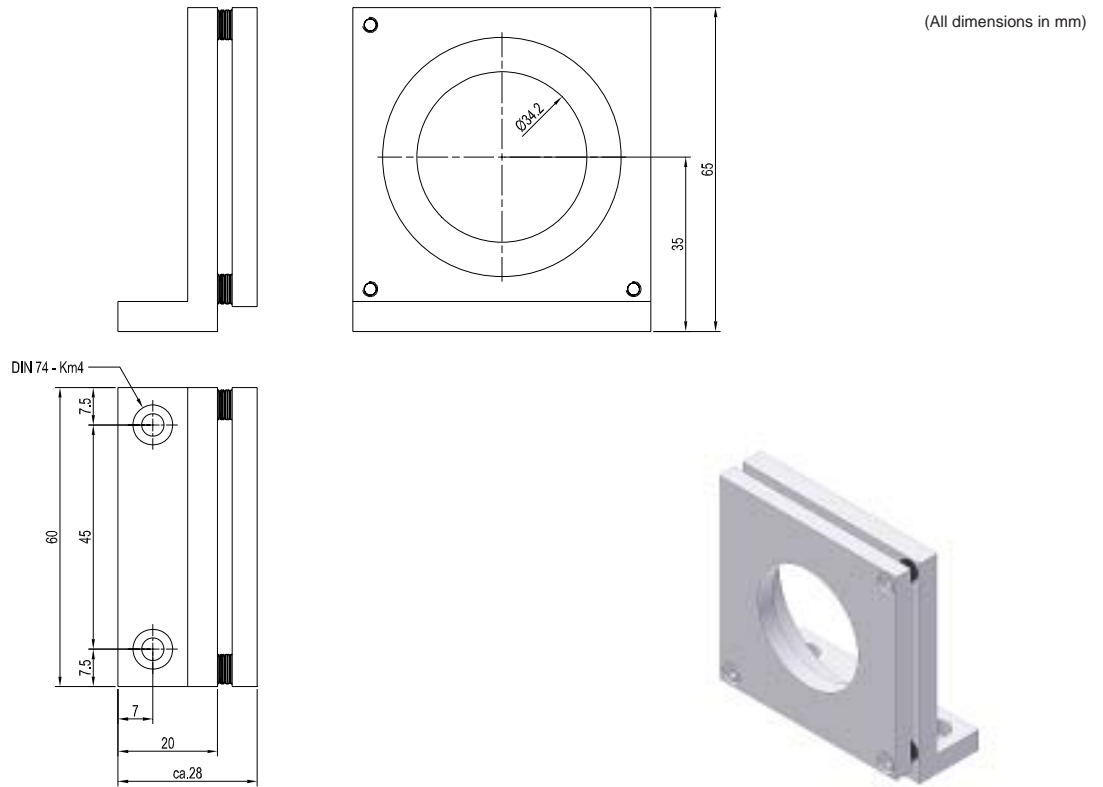
WFL-34





Dimensions

Dimensions WFL-34:



Dimensions WFL-34
e.g. with SPECTRO-3-30-DIL mounted:

