

Accessories

▶ WFL-90

Mounting flange (angle type 90°) for digital laser light barriers of type D-LAS90 or analog laser light barriers of type A-LAS-90

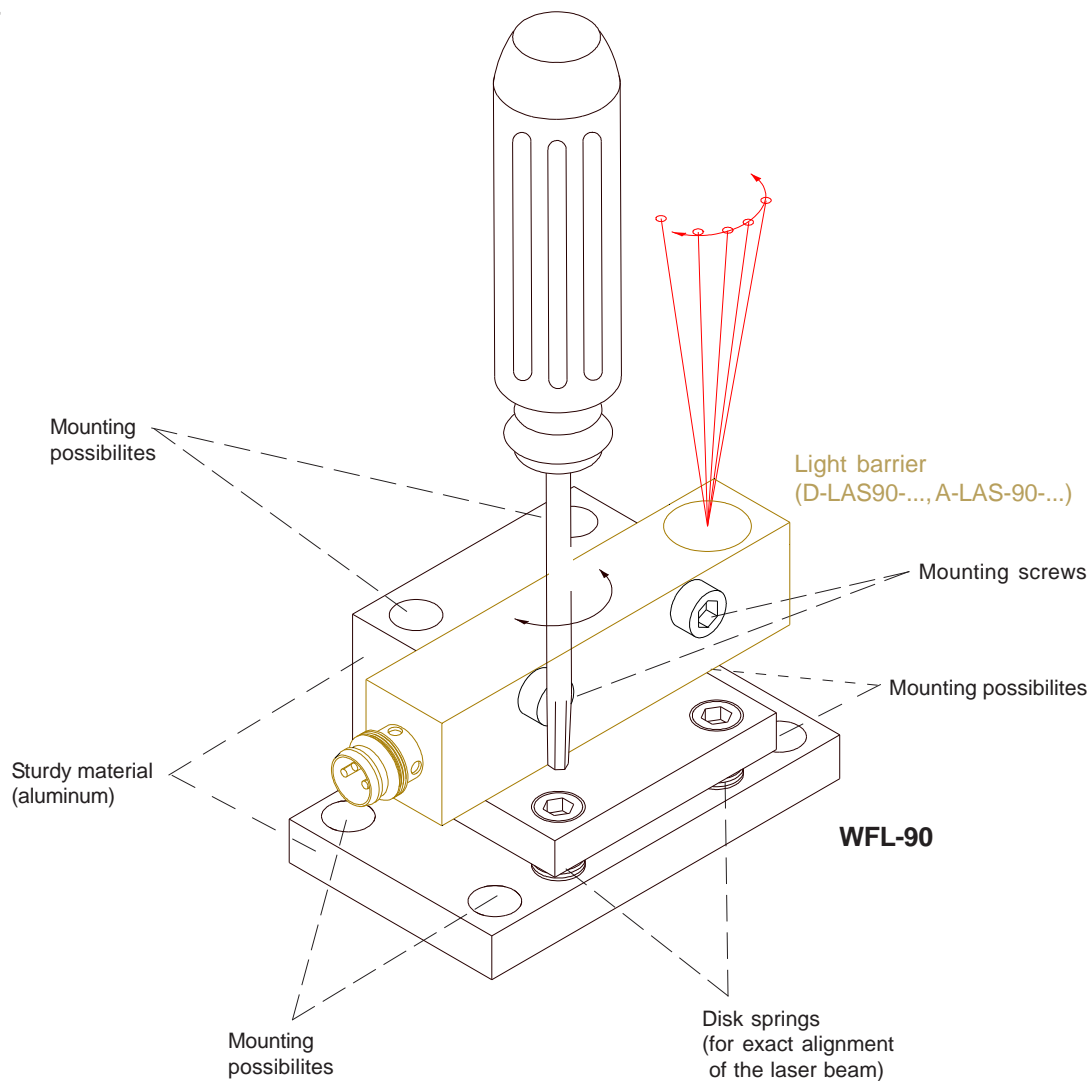
- Adjusting possibility of laser beam in vertical direction
- Exact alignment of laser beam by means of disk springs
- Sturdy material (aluminum)



Design

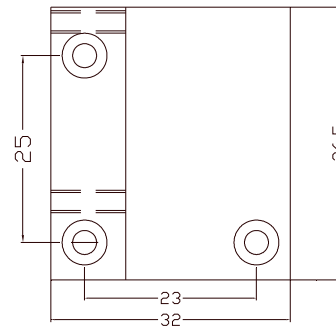
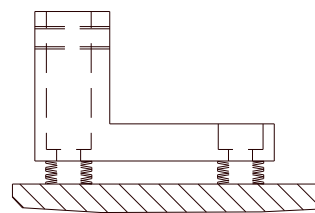
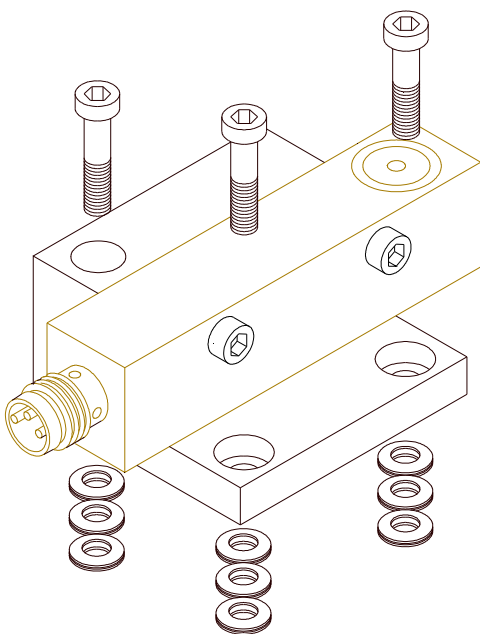
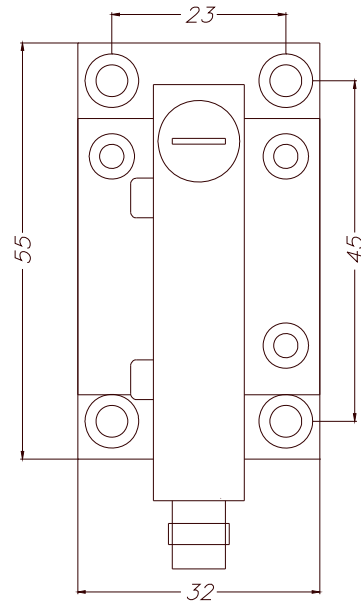
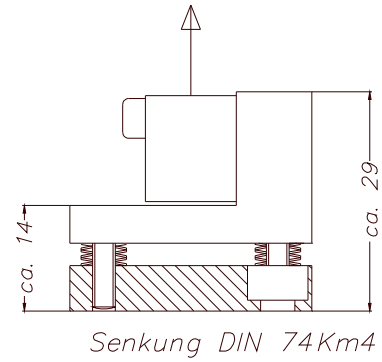
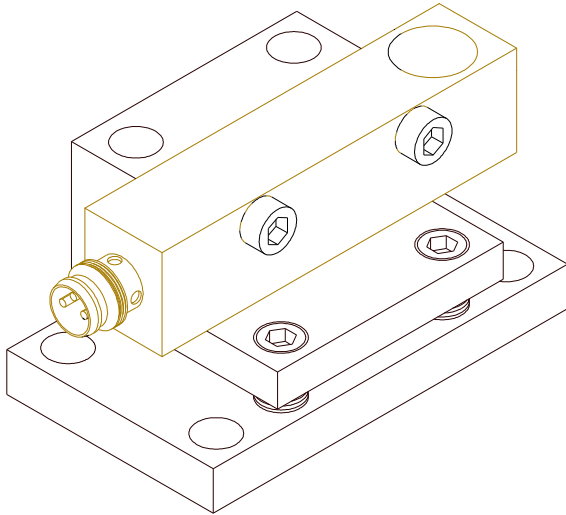
Product name:

WFL-90
(Angle flange)





Dimensions



(All dimensions in mm)