

# Accessories

## ▶ WFL-12

Mounting flange (angle type 90°) for digital laser light barriers of type D-LAS2

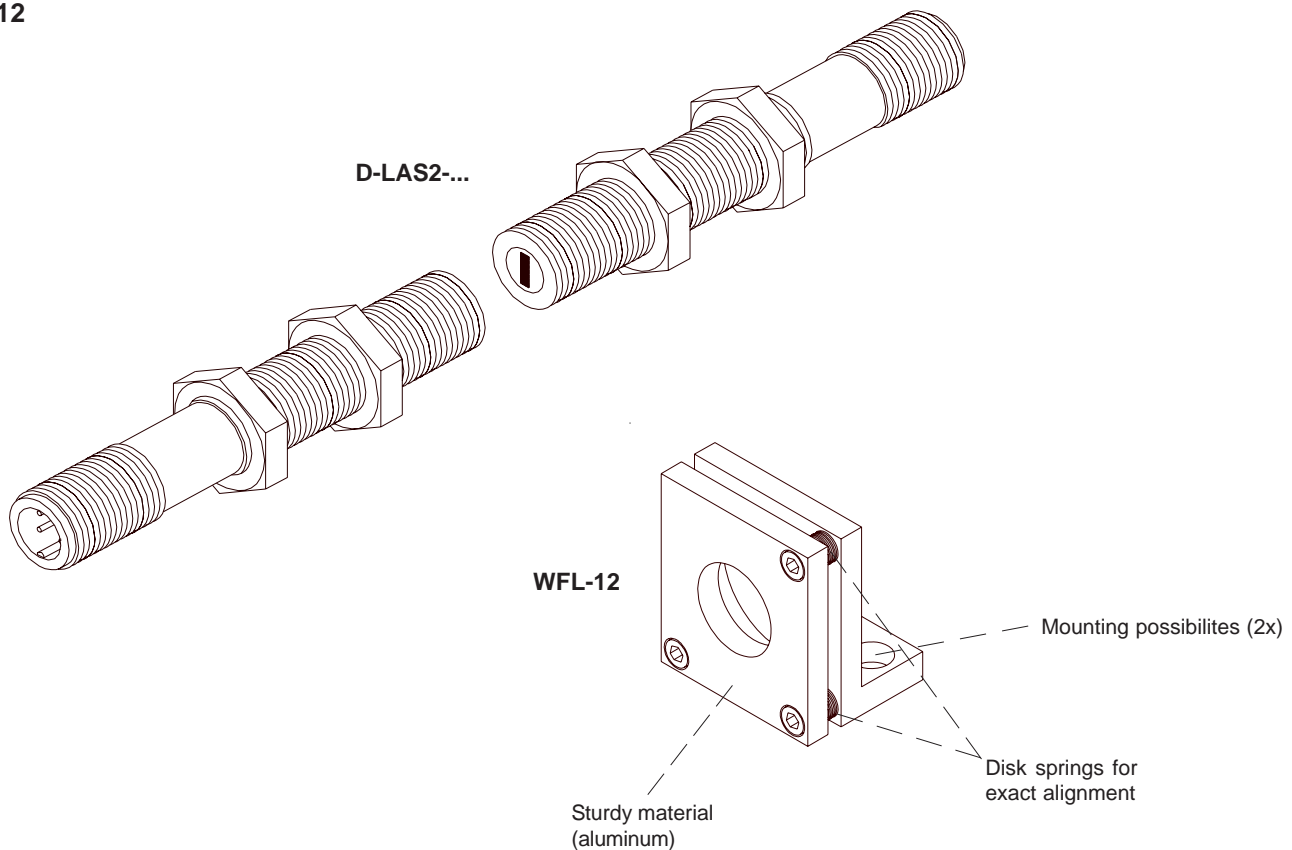
- Exact alignment by means of disk springs
- Sturdy material (aluminum)



Design

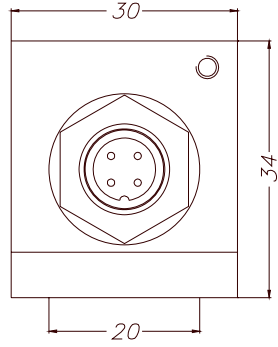
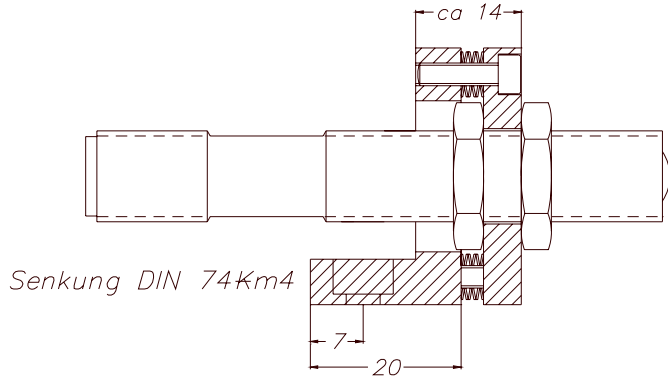
### Product name:

WFL-12





**Dimensions**



(All dimensions in mm)