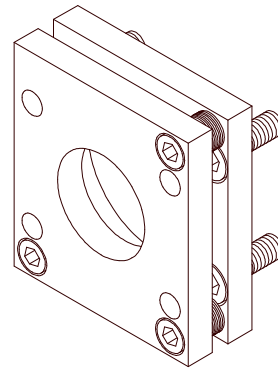


# Accessories

## ▶ FL-18

Mounting flange for  
digital laser light barriers of type D-LAS1

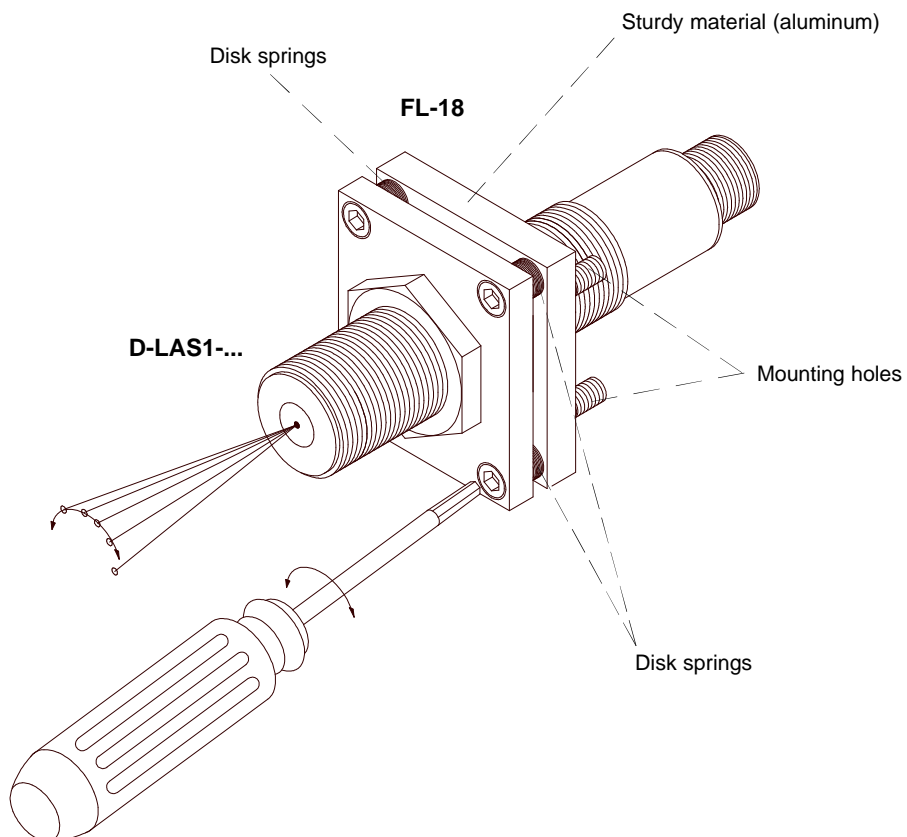
- Exact alignment by means of disk springs
- Sturdy material (aluminum)



Design

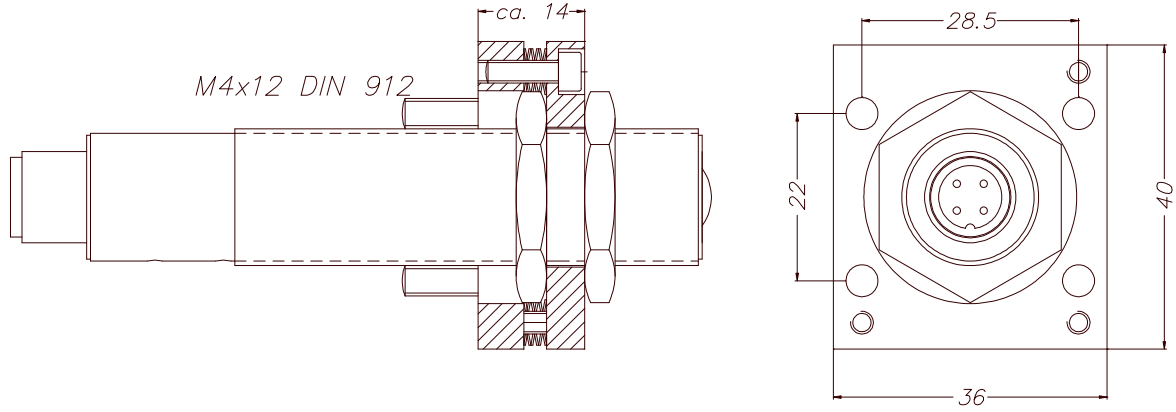
### Product name:

FL-18





**Dimensions**



(All dimensions in mm)