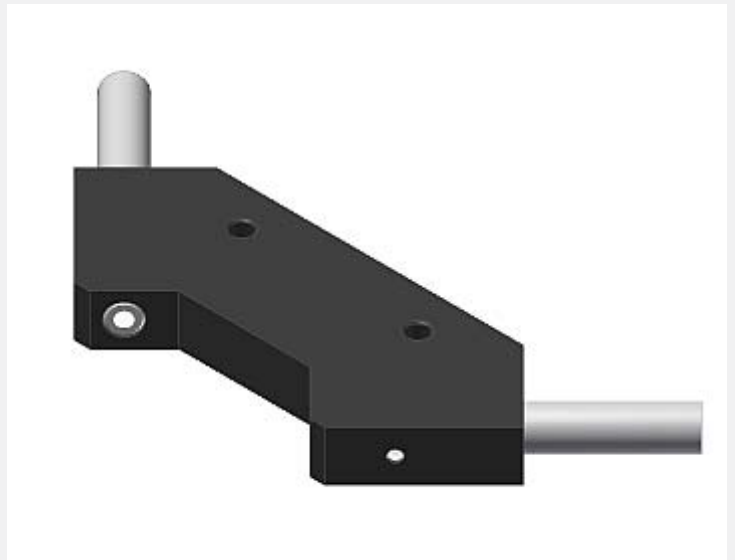


# FIO Series (Accessories)

## ► MOUNT-A3.0-90°-15

Mounting bracket for transmitted light fiber optics with sensor head type D-S-A3.0-...

- For mounting and optimum alignment of a transmitted light fiber optics type D-S-A3.0-...
- Angle of incidence 90° (2x 45° to the vertical) at a distance of 15 mm to the object measured from outer housing edge
- Fixation of the fiber optics by means of plastic screws
- Various mounting possibilities
- Sturdy aluminum housing, anodized in black
- Gloss control of matt to glossy surfaces

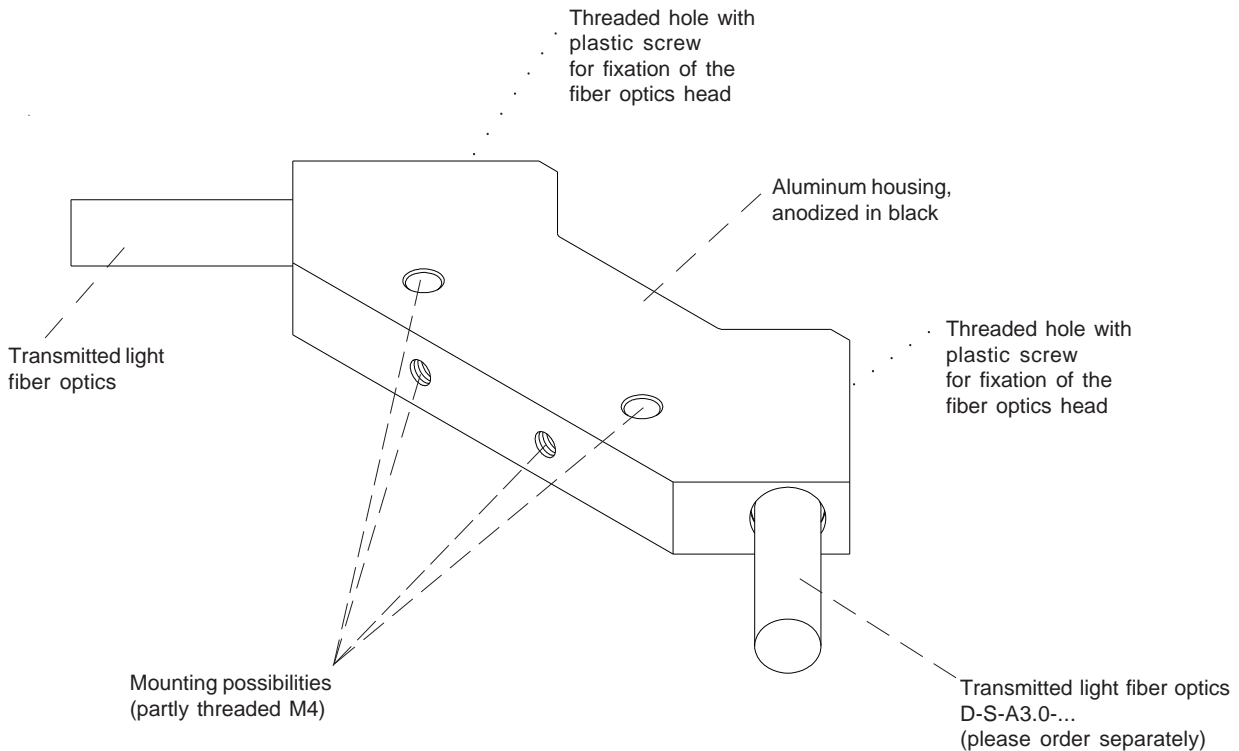


Design

### Product name:

**MOUNT-A3.0-90°-15** (suitable for transmitted light fiber optics D-S-A3.0-...)  
(formerly: KL-15/45°-A3.0)

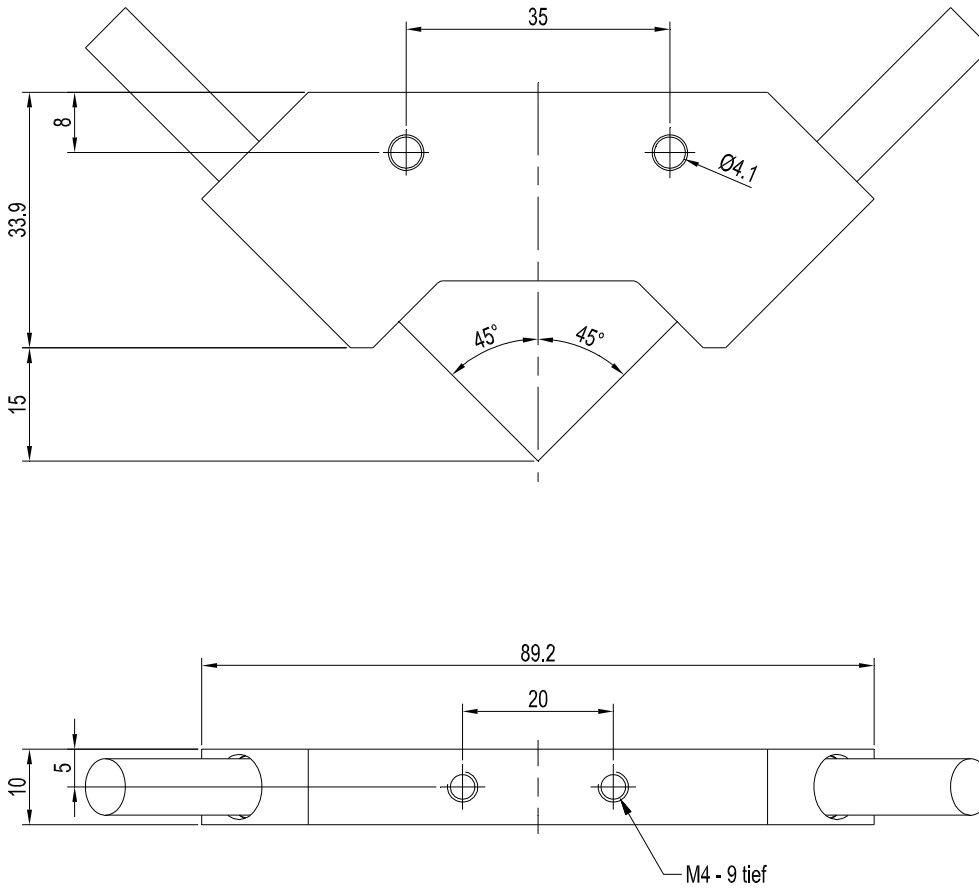
Please order fiber optics separately,  
for further information please cf. catalog „FIO Series“





Dimensions

MOUNT-A3.0-90°-15



All dimensions in mm