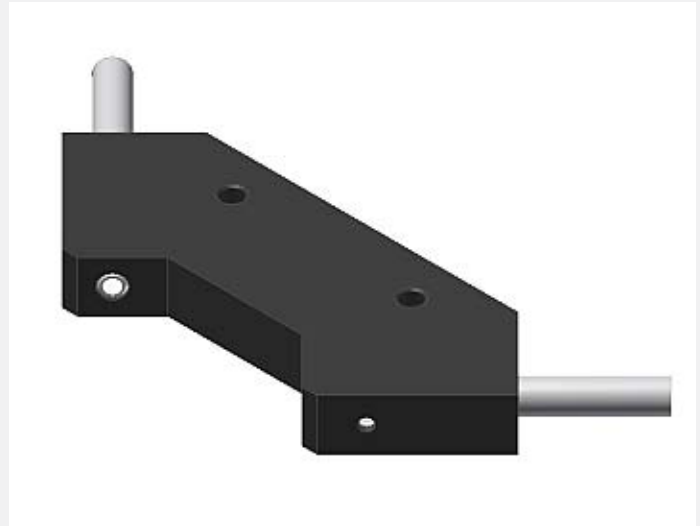


FIO Series (Accessories)

► MOUNT-A2.0-90°-15

Mounting bracket for transmitted light fiber optics with sensor head type D-S-A2.0-...

- For mounting and optimum alignment of a transmitted light fiber optics type D-S-A2.0-...
- Angle of incidence 90° (2x 45° to the vertical) at a distance of 15 mm to the object measured from outer housing edge
- Fixation of the fiber optics by means of plastic screws
- Various mounting possibilities
- Sturdy aluminum housing, anodized in black
- Gloss control of matt to glossy surfaces

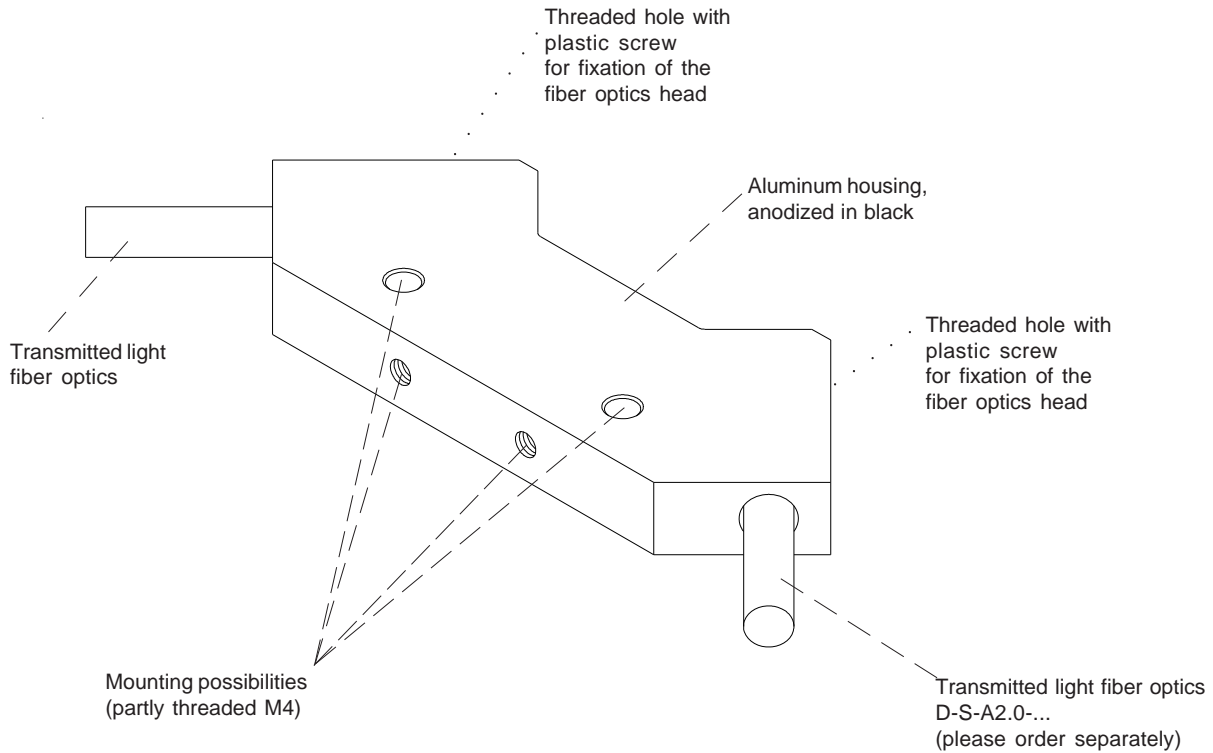


Aufbau

Product name:

MOUNT-A2.0-90°-15 (suitable for transmitted light fiber optics D-S-A2.0-...)
 (formerly: KL-15/45°-A2.0)

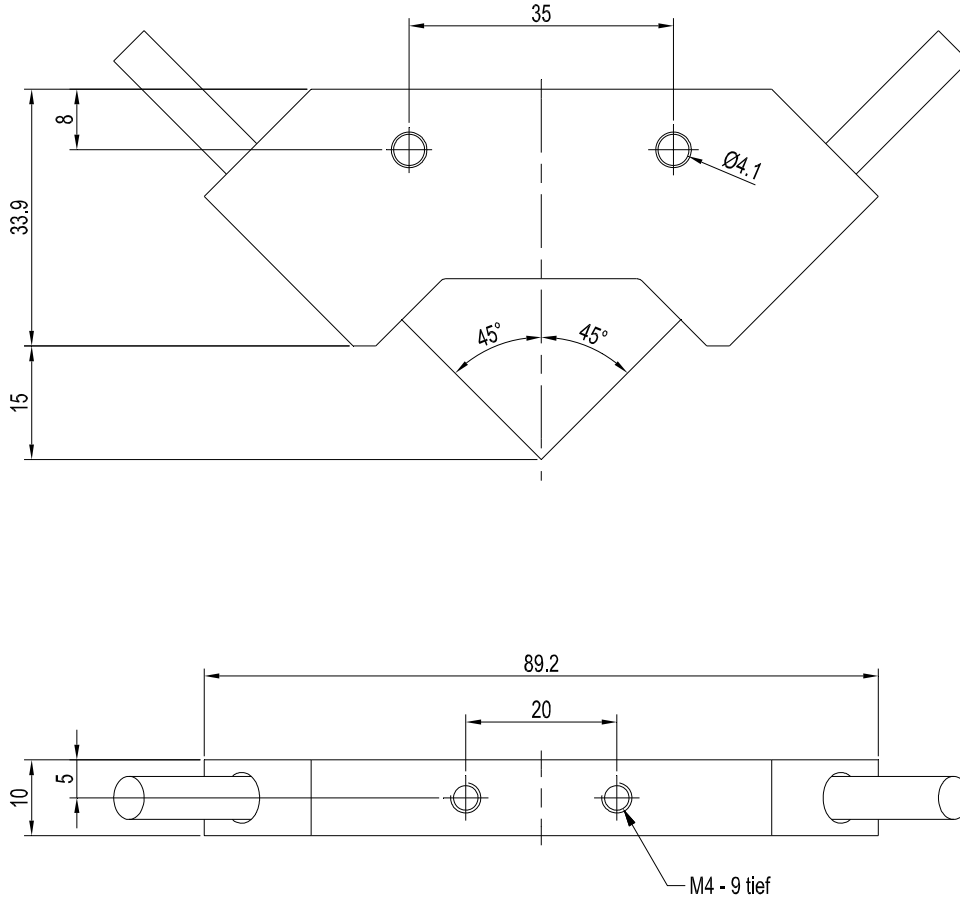
Please order fiber optics separately,
 for further information please cf. catalog „FIO Series“





Dimensions

MOUNT-A2.0-90°-15



All dimensions in mm