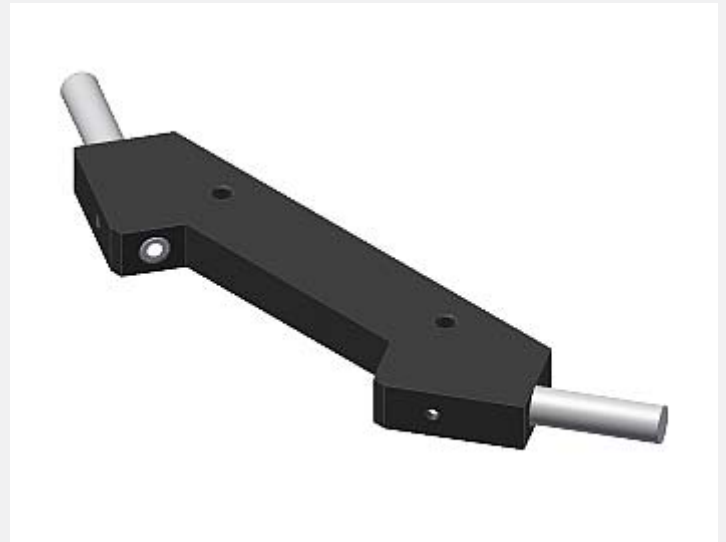


FIO Series (Accessories)

► MOUNT-A3.0-120°-12

Mounting bracket for transmitted light fiber optics with sensor head type D-S-A3.0-...

- For mounting and optimum alignment of a transmitted light fiber optics type D-S-A3.0-...
- Angle of incidence 120° (2x 60° to the vertical) at a distance of 12 mm to the object measured from outer housing edge
- Fixation of the fiber optics by means of plastic screws
- Various mounting possibilities
- Sturdy aluminum housing, anodized in black
- Gloss control of matt to light glossy surfaces

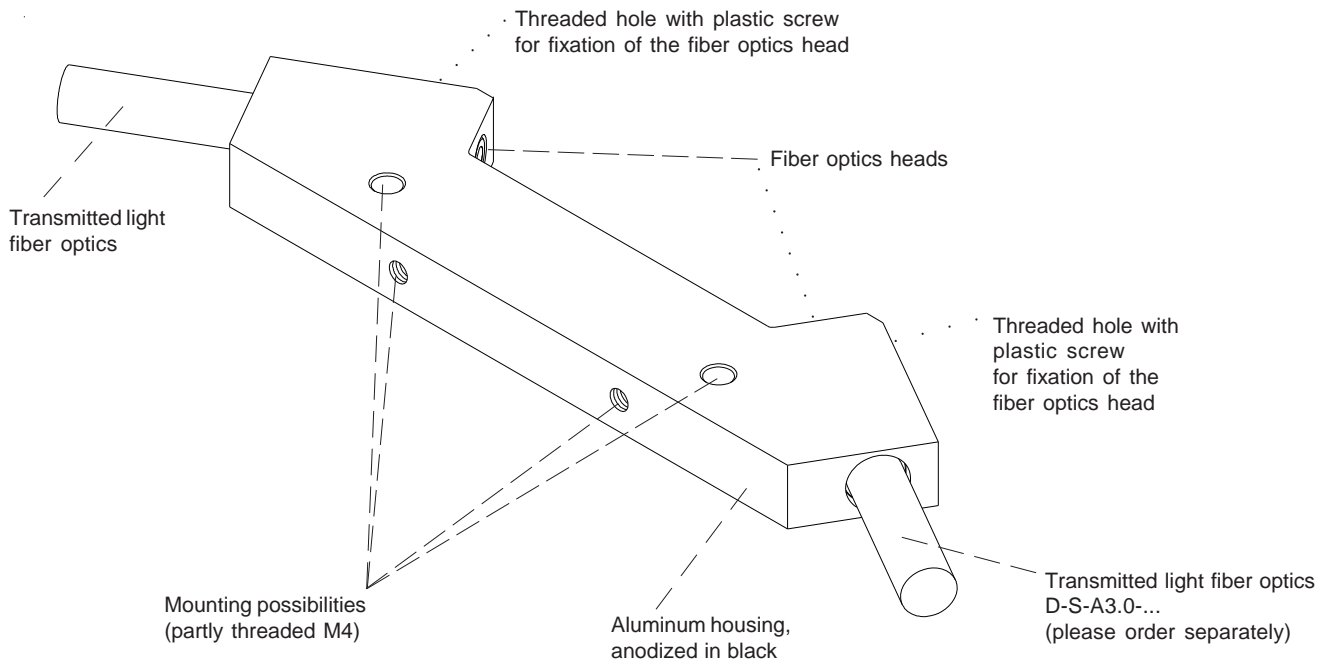


Design

Product name:

MOUNT-A3.0-120°-12 (suitable for transmitted light fiber optics D-S-A3.0-...)
(formerly: KL-12/60°-A3.0)

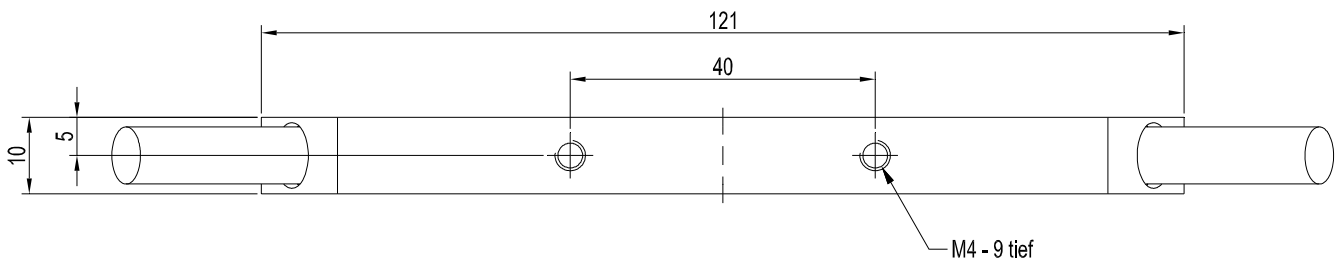
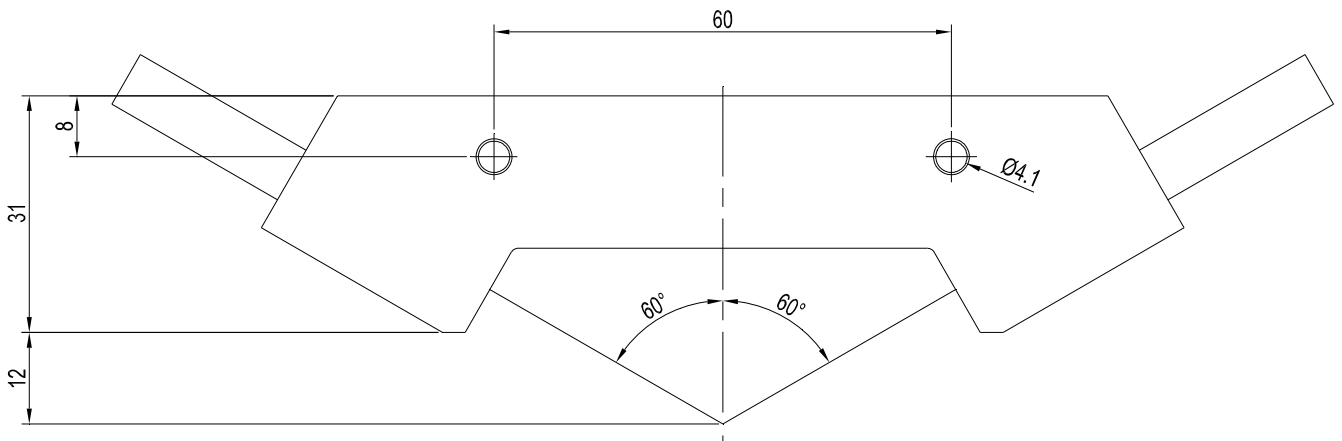
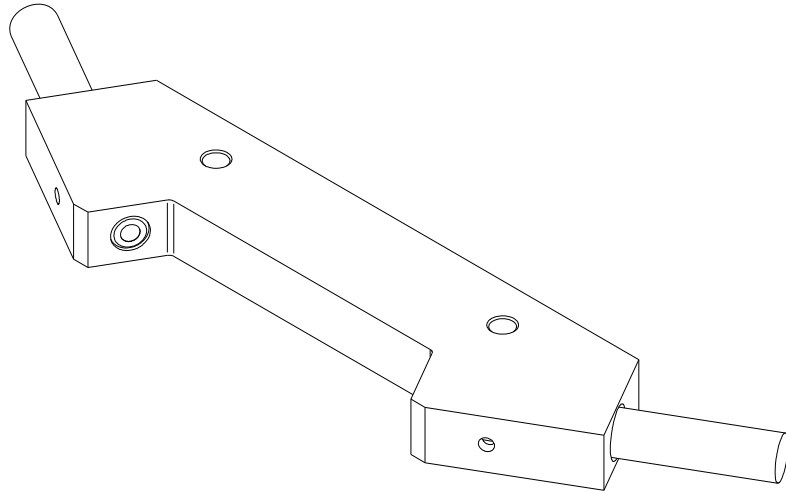
Please order fiber optics separately,
for further information please cf. catalog „FIO Series“





Dimensions

MOUNT-A3.0-120°-12



All dimensions in mm