

FIO Series (Accessories)

► MOUNT-A3.0-150°-10

Mounting bracket for transmitted light fiber optics with sensor head type D-S-A3.0-...

- For mounting and optimum alignment of a transmitted light fiber optics type D-S-A3.0-...
- Angle of incidence 150° (2x 75° to the vertical) at a distance of 10 mm to the object measured from outer housing edge
- Fixation of the fiber optics by means of plastic screws
- Various mounting possibilities
- Sturdy aluminum housing, anodized in black
- [Gloss control of rough surfaces](#)

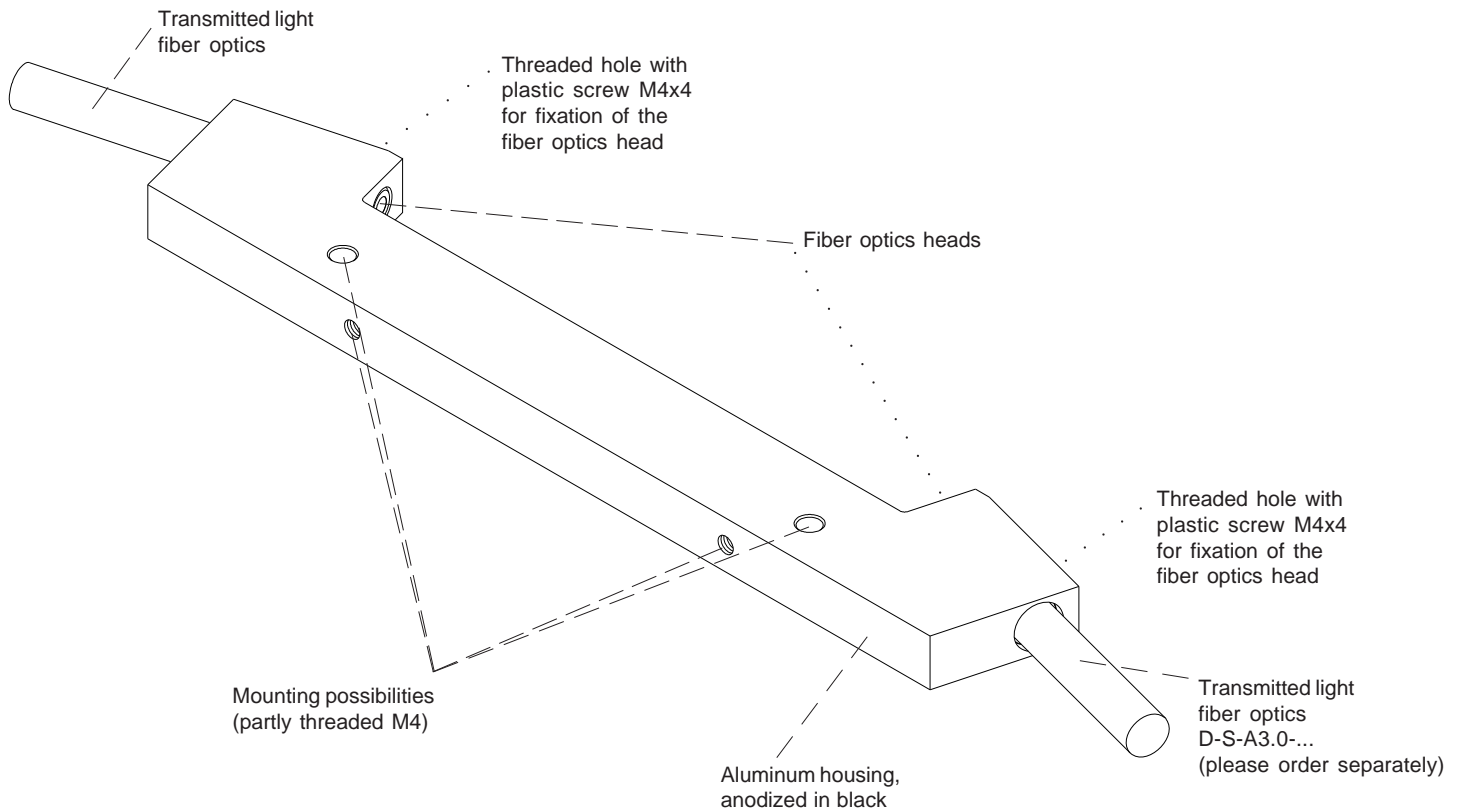


Design

Product name:

MOUNT-A3.0-150°-10 (suitable for transmitted light fiber optics D-S-A3.0-...)
(formerly: KL-10/75°-A3.0)

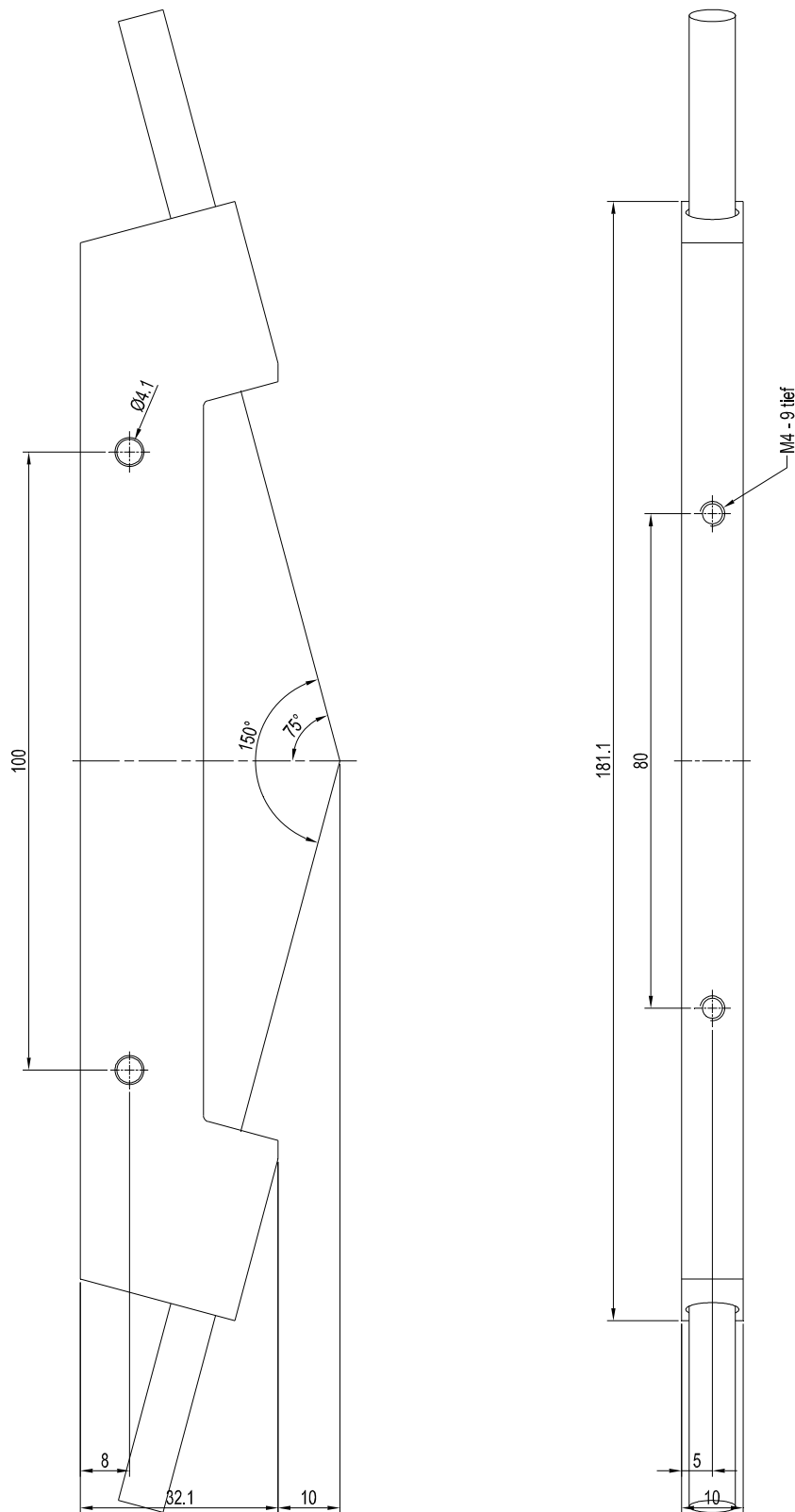
Please order fiber optics separately,
for further information please cf. catalog „FIO Series“





Dimensions

MOUNT-A3.0-150°-10



All dimensions in mm