

FIO Series

► KL-M12-XL-A2.0

Optical frontend

- Optical frontend for reflected light fiber optics R-S-A2.0-...-67° (fiber optics are available in various lengths)
- Working distance typ. 10 mm ... 100 mm
- Also suitable for detection of highly absorbent objects (e.g. black painted parts)
- Minimal color change at a change in the distance
- Focusable
- Scratch resistant glass optics
- Sturdy aluminum housing, anodized in black



Design

Product name:

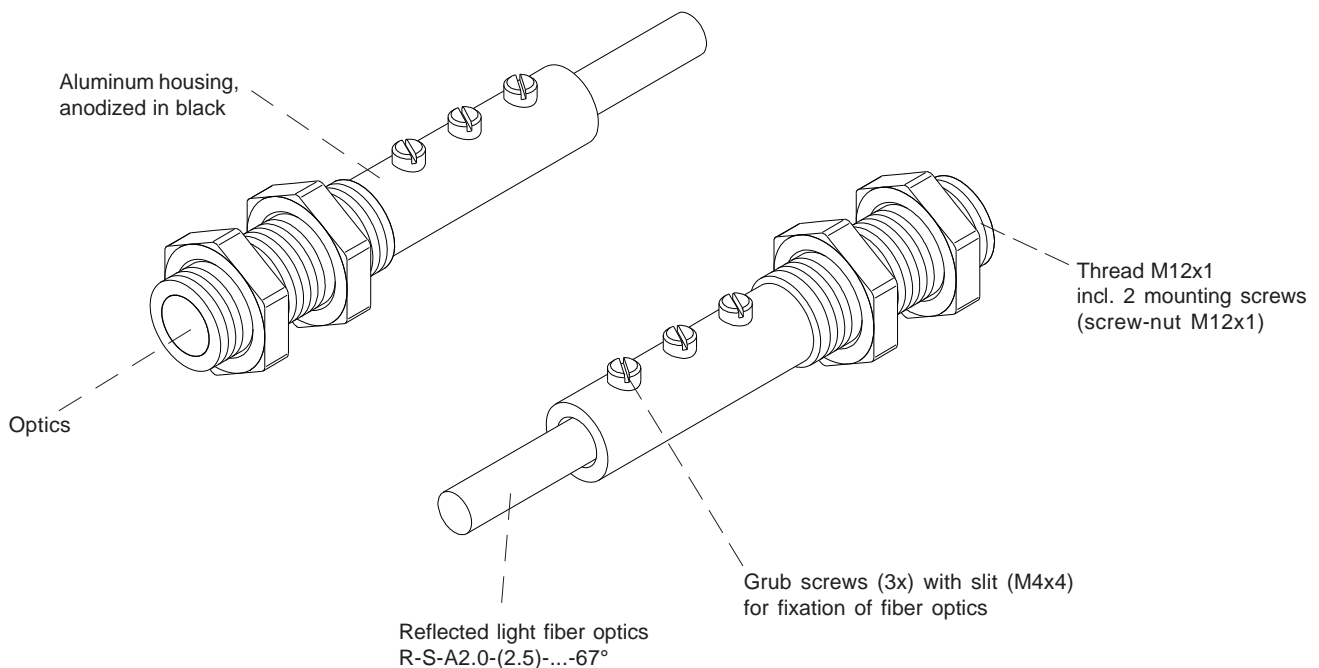
KL-M12-XL-A2.0

Suitable for fiber optics (please order separately):

Reflected light fiber optics

R-S-A2.0-(2.5)-(length)-67°

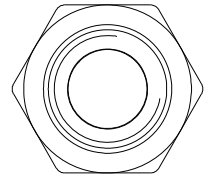
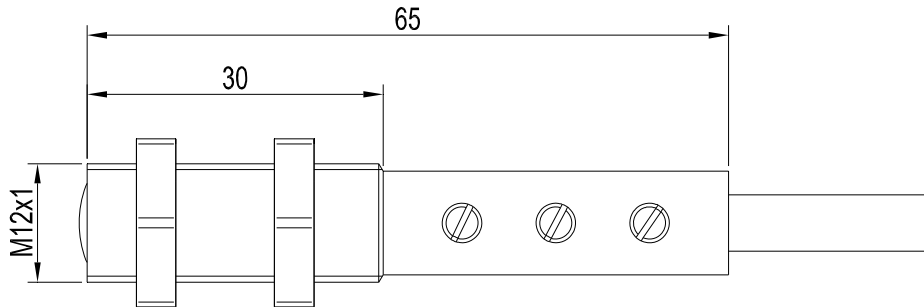
(standard lengths for fiber optics: 600 mm or 1200 mm)





Dimensions

KL-M12-XL-A2.0

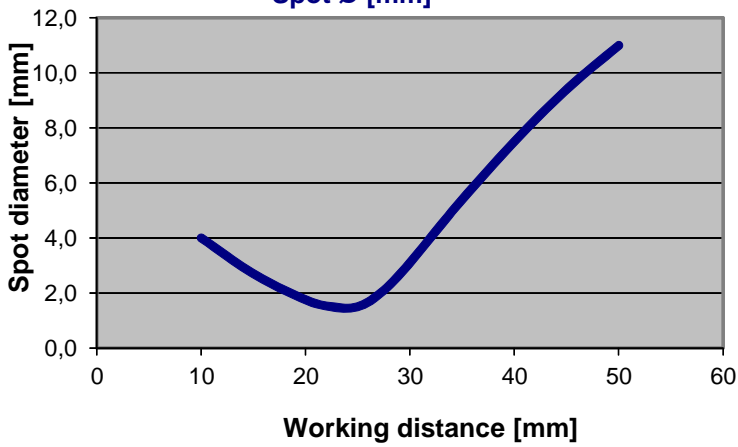


All dimensions in mm



Diagrams

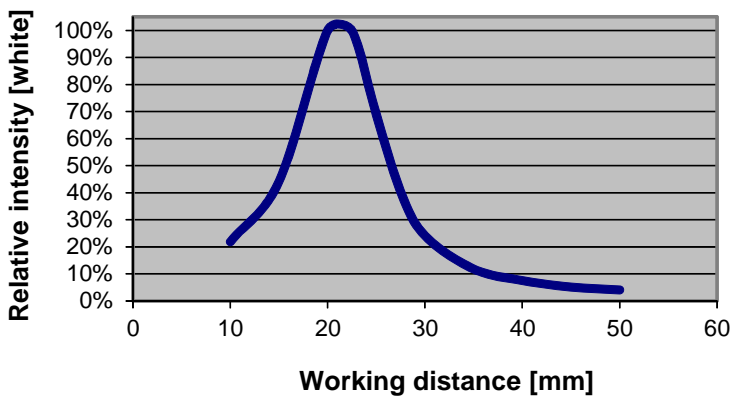
**KL-M12-XL-A2.0 (focused to 25 mm)
+ R-S-A2.0-(2.5)-1200-67°
Spot Ø [mm]**



**KL-M12-XL-A2.0 with R-S-A2.0-(2.5)-1200-67°:
(focused to a distance of 25 mm):**

Spot diameter:
4 mm (typ.) at a working distance of 10 mm
2 mm (typ.) at a working distance of 20 mm
11 mm (typ.) at a working distance of 50 mm

**KL-M12-XL-A2.0 (focused to 25 mm)
+ R-S-A2.0-(2.5)-1200-67°
INT [relative]**



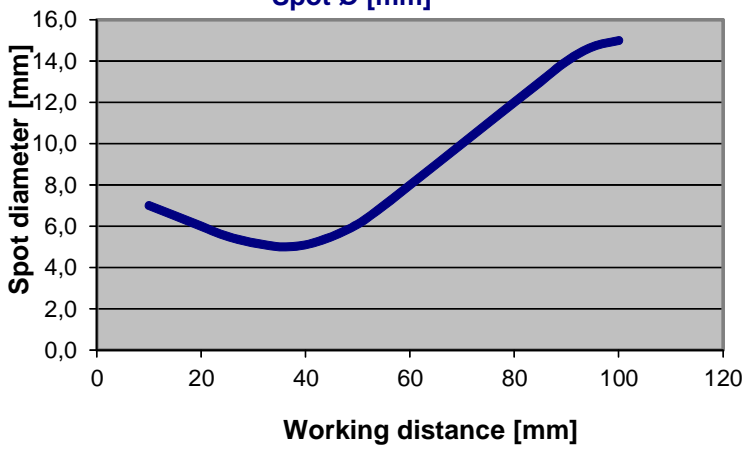
**KL-M12-XL-A2.0 with R-S-A2.0-(2.5)-1200-67°:
(focused to a distance of 25 mm):**

Relative intensity
100% at a working distance of 20 mm
(INTENSITY 3317)



Diagrams

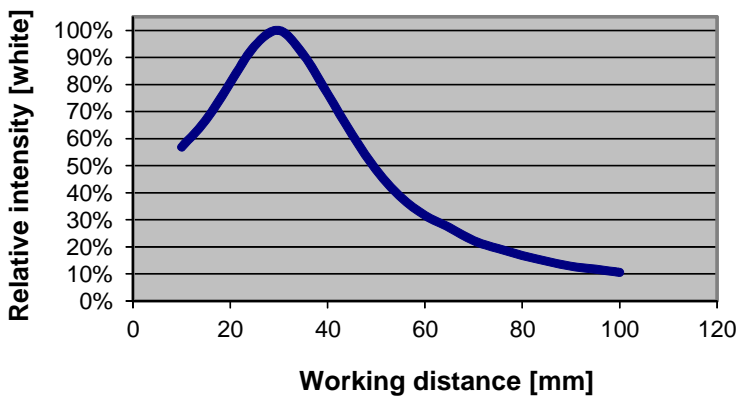
**KL-M12-XL-A2.0 (focused to 50 mm)
+ R-S-A2.0-(2.5)-1200-67°
Spot Ø [mm]**



**KL-M12-XL-A2.0 with R-S-A2.0-(2.5)-1200-67°:
(focused to a distance of 50 mm):**

Spot diameter:
7 mm (typ.) at a working distance of 10 mm
5 mm (typ.) at a working distance of 40 mm
14 mm (typ.) at a working distance of 90 mm

**KL-M12-XL-A2.0 (focused to 50 mm)
+ R-S-A2.0-(2.5)-1200-67°
INT [relative]**



**KL-M12-XL-A2.0 with R-S-A2.0-(2.5)-1200-67°:
(focused to a distance of 50 mm):**

Relative intensity
100% at a working distance of 30 mm
(INTENSITY 3410)