

FIO Series

▶ KL-4-A1.1

Optical frontend

- Optical frontend for reflected light fiber optics R-S-A1.1-... (fiber optics are available in various versions)
- Working distance typ. 10 mm ... 15 mm
- Focusing onto a small light spot (spot diameter at a distance of 10 mm: typ. 0.5 mm)
- Color measurement of small objects at a relatively big distance
- Scratch resistant glass optics
- Sturdy aluminum housing, anodized in black



Design

Product name:

KL-4-A1.1

Suitable for fiber optics (please order separately):

Reflected light fiber optics

R-S-A1.1-(0.6)-...-67° or

R-S-A1.1-(0.6)-...-22° or

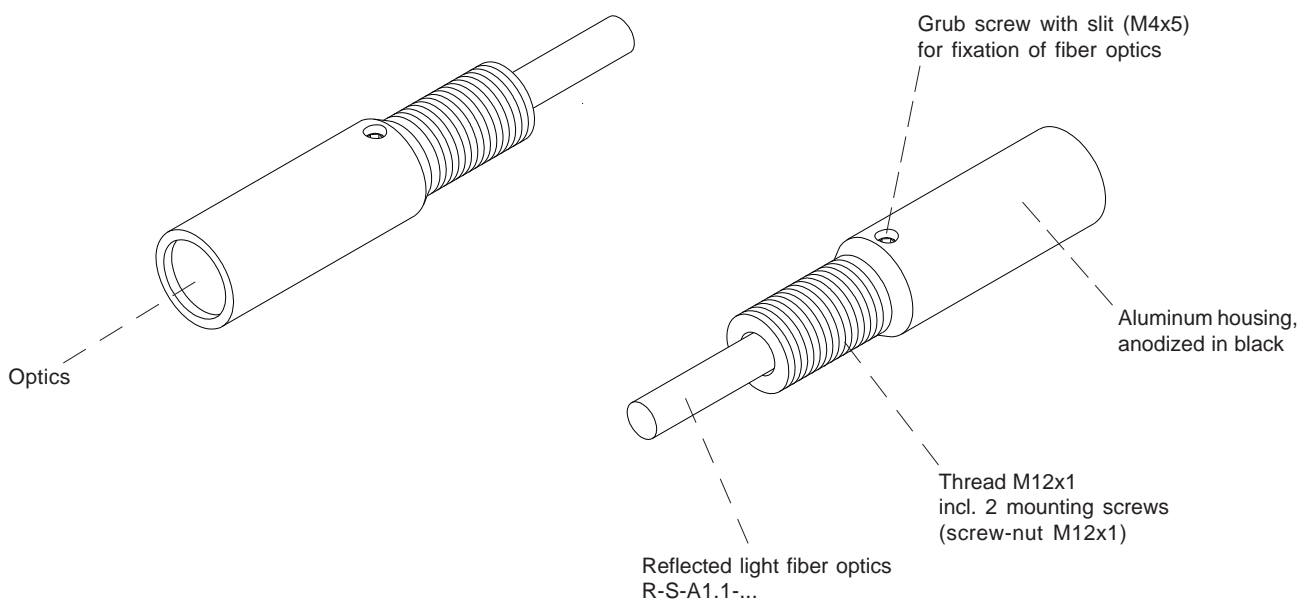
R-S-A1.1-(1.1)-...-67° or

R-S-A1.1-(1.1)-...-22° or

R-S-A1.1-(1.5)-...-67° or

R-S-A1.1-(1.5)-...-22°

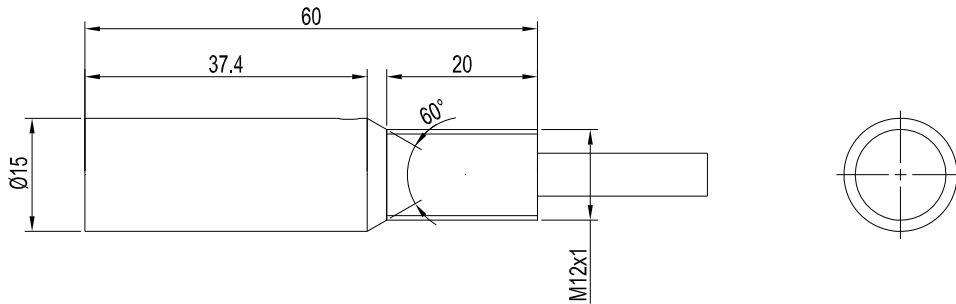
(standard lengths for fiber optics: 600 mm or 1200 mm)





Dimensions

KL-4-A1.1



All dimensions in mm