

# FIO Series

## ▶ KL-3-AP-d1.0-A2.0 KL-3-AP-d2.0-A2.0

### Optical frontend with integrated aperture

- Optical frontend for reflected light fiber optics R-S-A2.0-(2.5)-... (fiber optics is available in various versions)
- Working distance typ. 10 mm ... 20 mm
- Focusing onto a small light spot  
d1.0: spot diameter at a distance of 10 mm: typ. 1 mm  
d2.0: spot diameter at a distance of 10 mm: typ. 2 mm
- Color measurement of small objects at a relatively big distance
- Sturdy aluminum housing, anodized in black



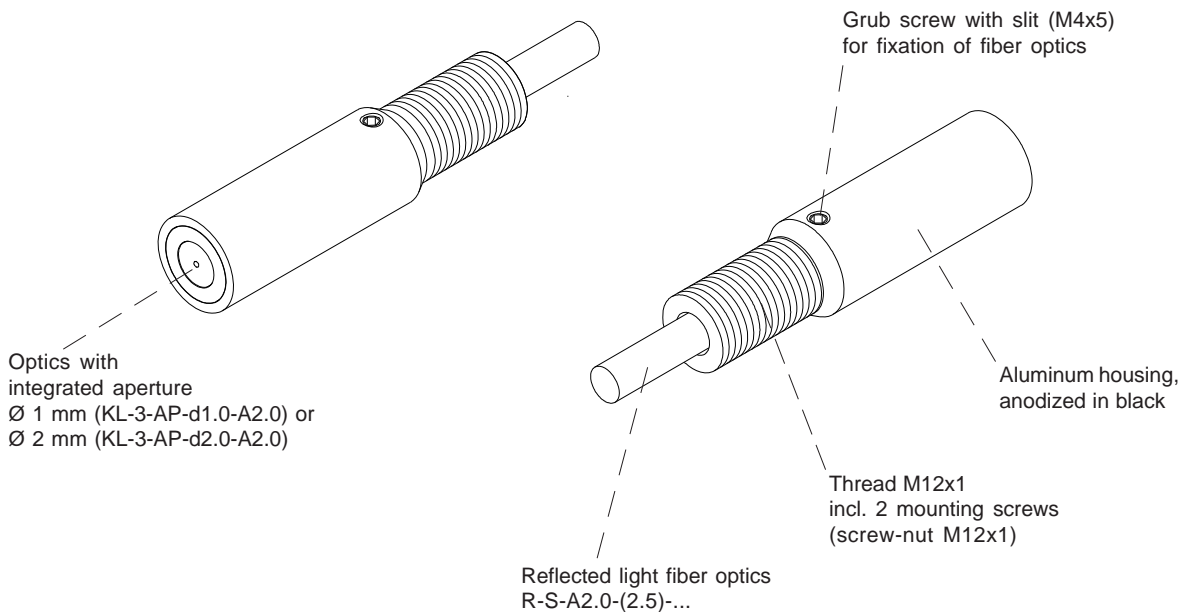
## Design

### Product name:

**KL-3-AP-(aperture)\*-A2.0** Suitable for fiber optics (please order separately):  
**Reflected light fiber optics**  
 R-S-A2.0-(2.5)-(length)-67°  
 R-S-A2.0-(2.5)-(length)-22°  
 (standard lengths for fiber optics: 600 mm or 1200 mm)

### \*Available apertures:

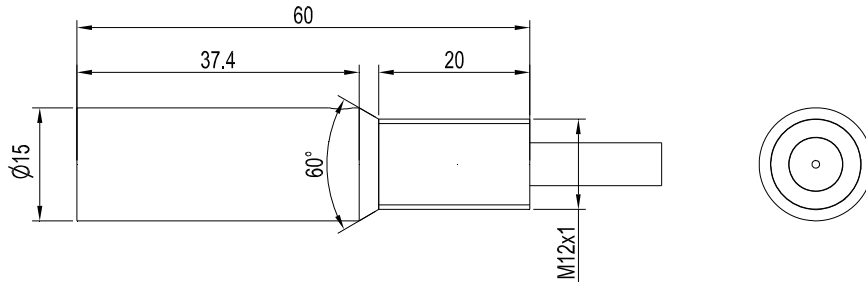
**d1.0** = Circular aperture Ø 1 mm  
**d2.0** = Circular aperture Ø 2 mm





Dimensions

KL-3-AP-...-A2.0



All dimensions in mm



Fiber Optics

R-S-A2.0-(2.5)-...

