

# FIO Series

## ▶ KL-3-A2.0

### Optical frontend

- Optical frontend for reflected light fiber optics R-S-A2.0-(2.5)-... (fiber optics is available in various versions)
- Working distance typ. 10 mm ... 20 mm
- Focusing onto a small light spot (spot diameter at a distance of 10 mm: typ. 1 mm)
- Color measurement of small objects at a relatively big distance
- Sturdy aluminum housing, anodized in black



## Design

### Product name:

#### KL-3-A2.0

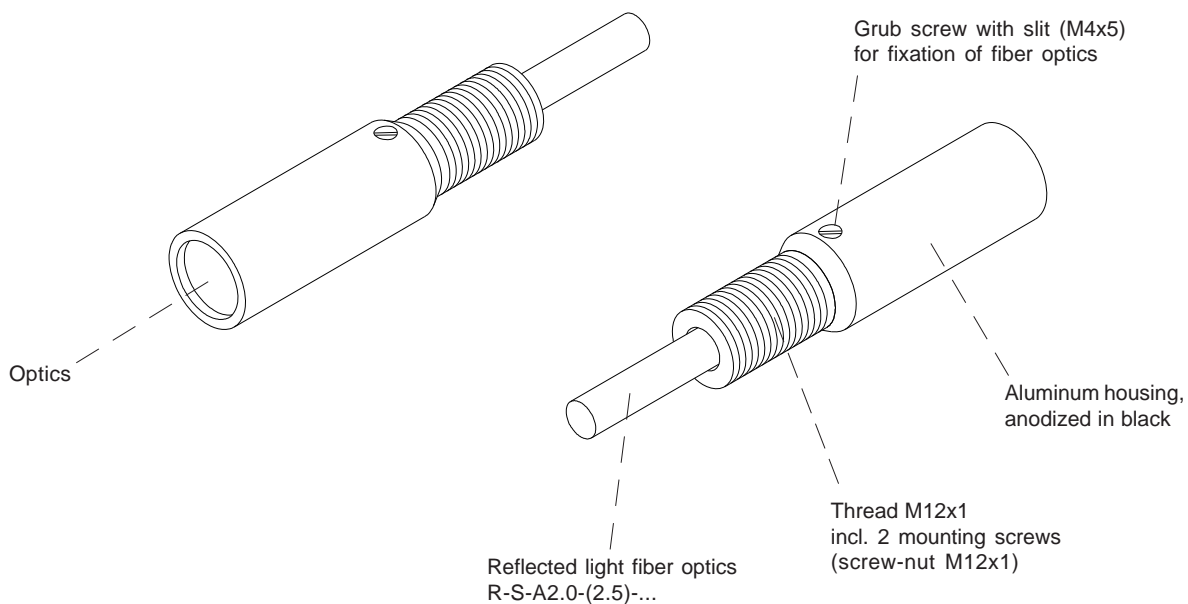
Suitable for fiber optics (please order separately):

#### Reflected light fiber optics

R-S-A2.0-(2.5)-(length)-67°

R-S-A2.0-(2.5)-(length)-22°

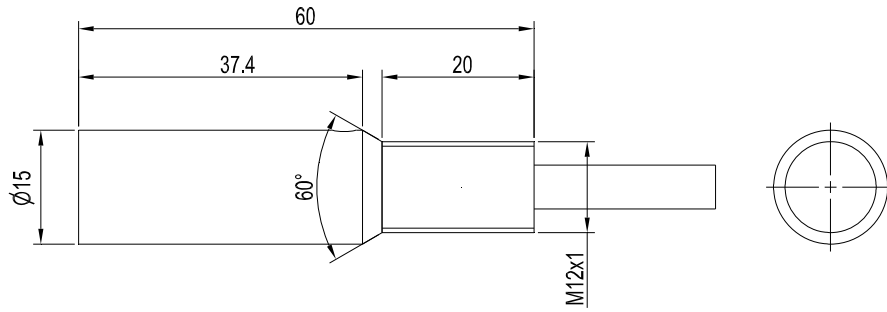
(standard lengths for fiber optics: 600 mm or 1200 mm)





Dimensions

KL-3-A2.0



All dimensions in mm



Fiber Optics

R-S-A2.0-(2.5)-...

