

FIO Series

▶ KL-1-A2.0

Optical frontend

- Optical frontend for through-beam fiber optics D-S-A2.0-(2.5)-... (this type of fiber optics is available in various versions)
- Transmitter/receiver distance typ. 50 mm ... 200 mm
- Focusing onto a small light spot
- Extension of measuring range
- Better illumination
- Scratch resistant glass optics
- Sturdy aluminum housing, anodized in black



Design

Product name:

KL-1-A2.0

Suitable for fiber optics (please order separately):

Through-beam fiber optics (for through-beam fiber optics 2 pcs. KL-1 are necessary)

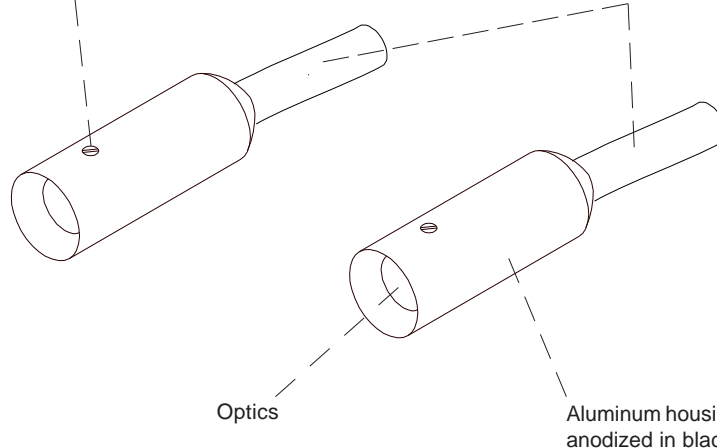
D-S-A2.0-(2.5)-(length)-67°

D-S-A2.0-(2.5)-(length)-22°

(standard lengths for fiber optics: 600 mm or 1200 mm)

Grub screw with slit (M4x4)
for fixation of fiber optics

Through-beam fiber optics
D-S-A2.0-(2.5)-...



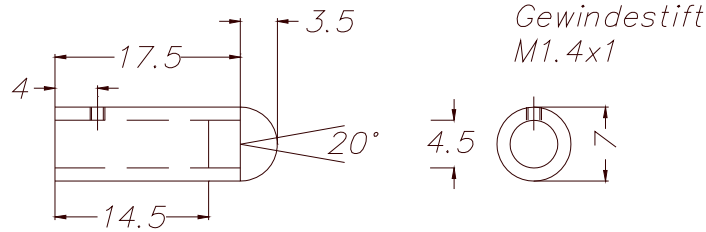
Optics

Aluminum housing,
anodized in black



Dimensions

KL-1-A2.0



All dimensions in mm



Fiber Optics

D-S-A2.0-(2.5)-...
(through-beam fiber optics)

