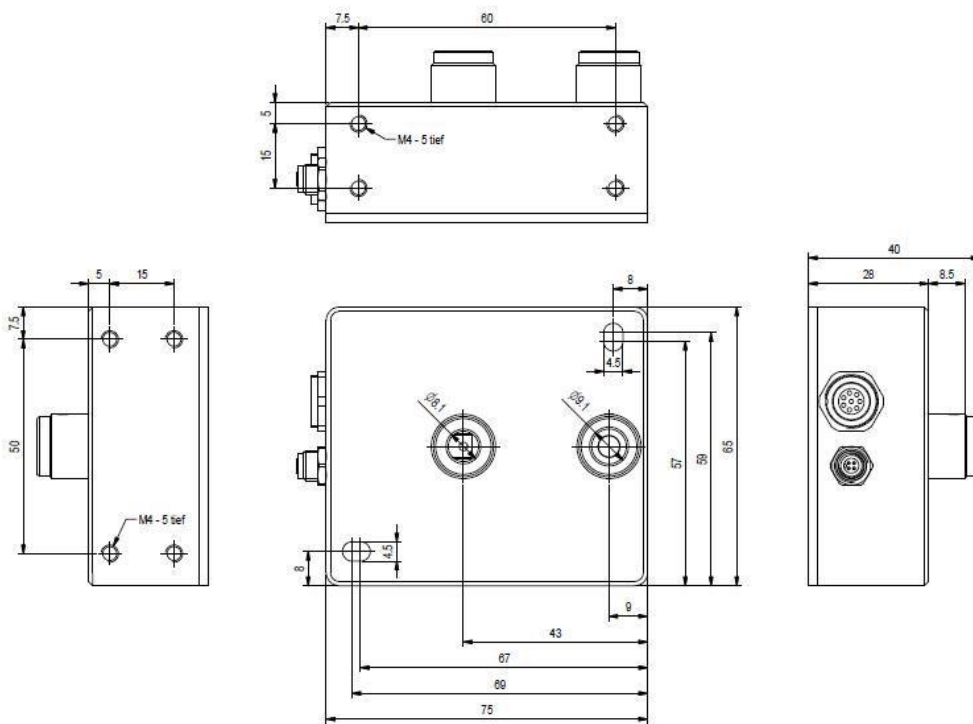


1. Color sensor SPECTRO-3-FIO-ANA-XL

The color sensor type **SPECTRO-3-FIO-ANA-XL** comes with an optical interface which allows connecting optical fibers type **M5.0** (transmitter) as well as **M6.0** (receiver). Thus, a long distance (up to 15 meters) between the amplifier and the measurement position can be realized. Furthermore optical frontends like **KL-M18-XL-M5**, **KL-M18-XL-M6** and **KL-M18-XL-M8**, **KL-M18-M5**, **KL-M18-M6** and **KL-M18-XL-M8** as well as **KL-M34-M5**, **KL-M34-M6** and **KL-M34-M8** are available. Suitable fiber optic cables are **D-S-M5-(5.0)-10000-67°**, **D-S-M6-(6.0)-10000-67°** and **R-S-M8-(8.0)-10000-Y-M5/M6-67°**.



Sensor head type M (end sleeve: special steel or alum.)

| Type | A | D | E | F | H | ØJ | | end sleeve |
|-------|----|----|----|------|----|----|------|---------------|
| | Ø | | Ø | Ø | | M | S | |
| M1.1 | 6 | 30 | 1 | 0,6 | 10 | 5 | 4,4 | special steel |
| M1.2 | 6 | 10 | 1 | 0,6 | 10 | 5 | 4,4 | special steel |
| M2.0 | 6 | 10 | 2 | 1,0 | 10 | 5 | 4,4 | aluminium |
| M3.0 | 7 | 12 | 4 | 2,5 | 12 | 6 | 5,8 | aluminium |
| M4.0 | 9 | 12 | 6 | 3,5 | 12 | 7 | 7,5 | aluminium |
| M5.0 | 12 | 16 | 7 | 5,0 | 16 | 9 | 9,0 | aluminium |
| M6.0 | 13 | 16 | 8 | 6,0 | 18 | 10 | 11,5 | aluminium |
| M8.0 | 16 | 20 | 10 | 8,0 | 20 | 13 | 13,5 | aluminium |
| M10.0 | 18 | 20 | 12 | 10,0 | 20 | 15 | - | aluminium |

