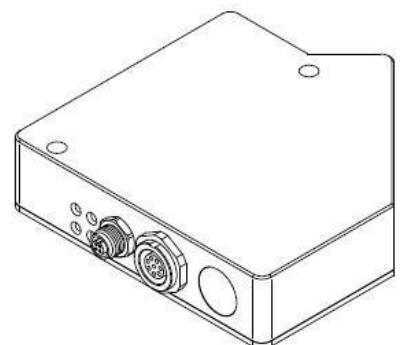
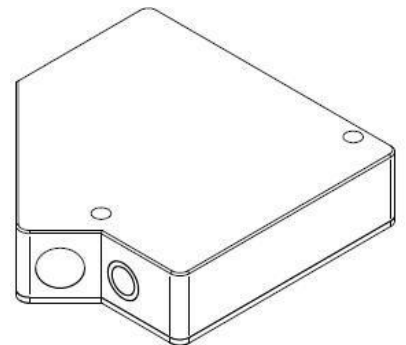
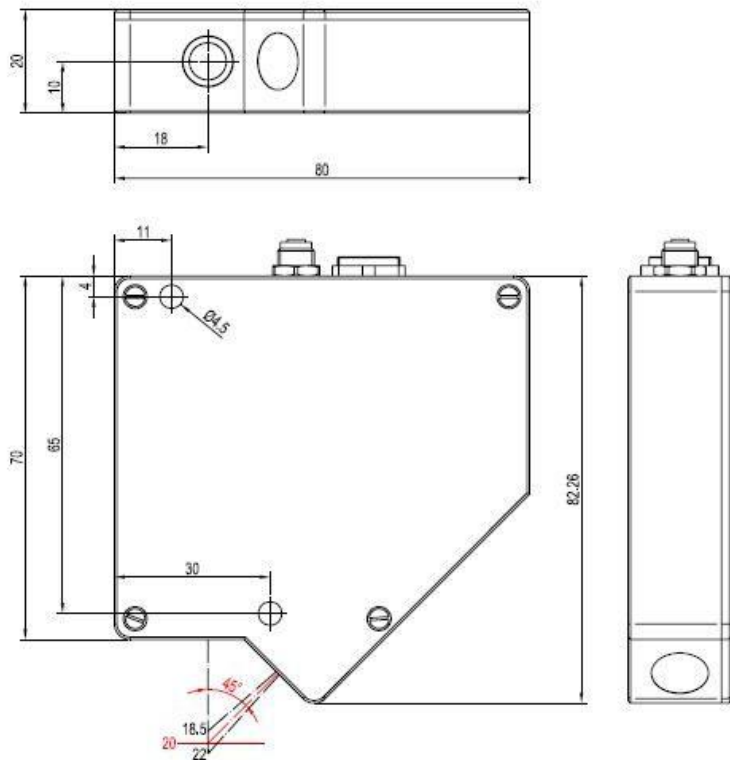




1. Laser displacement sensor L-LAS-LT-20-CL

The **L-LAS-LT-20-CL** is a new laser triangulation sensor in the compact class, which comes with a measurement range of 3.5mm and a reference distance of 20mm. The resolution of the sensor is approximately 1µm and the accuracy around ±2µm.



L-LAS-LT-20-CL
L-LAS-LT-20-CL-4/20
(incl. Windows® software L-LAS-LT-Scope)

4/20 = additional analog output (4 ... 20mA)

