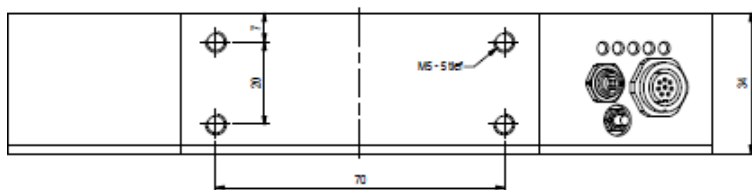
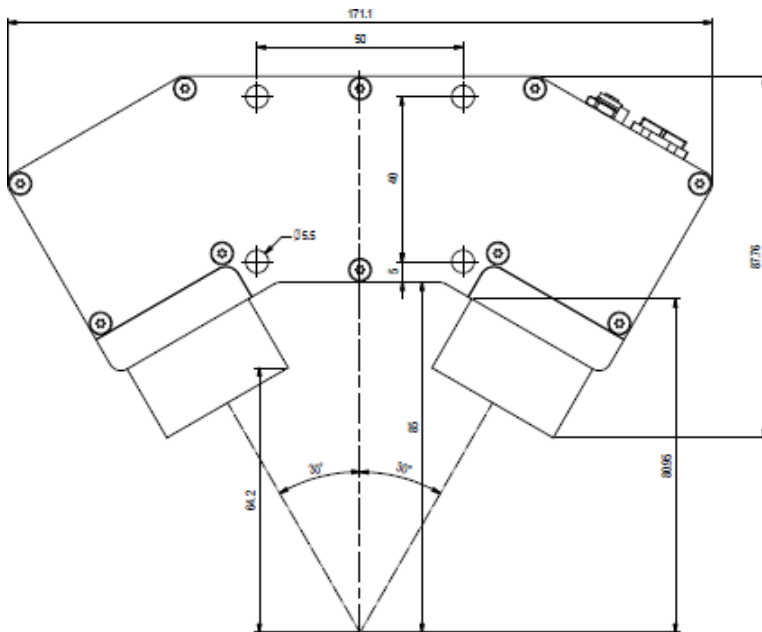
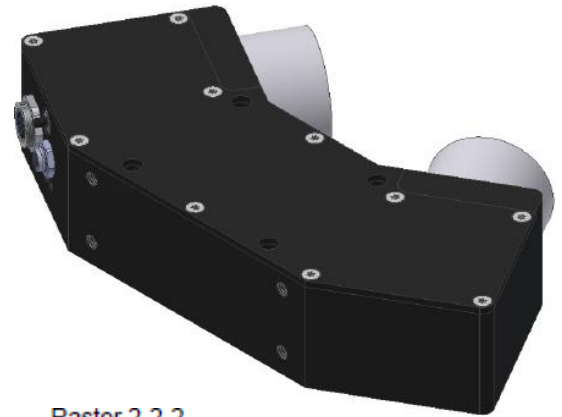
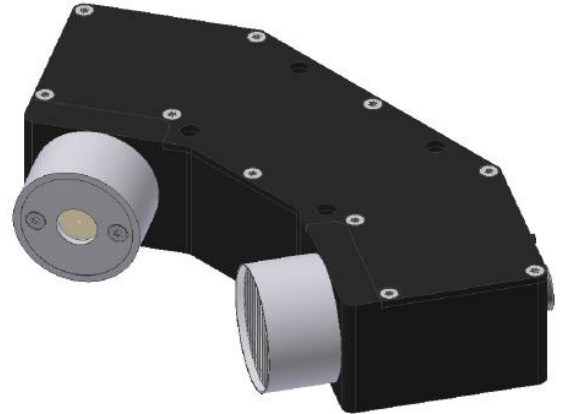


1. Gloss and structure sensor type GLAST-85-30°/30°-DIF-2/2

The gloss and structure sensor type **GLAST-85-30°/30°-DIF-2/2** can be used especially for differentiating high-grade steel strips or aluminum sheets. Furthermore, the sensor can be used to define the quality of car finish. At this, the distance from the sensor to the object is around 85mm and the grid dimensions of the transmitter-side line lattice have a line width of 2mm for the black line and 2mm for the space between the lines.



Raster 2-2-2

